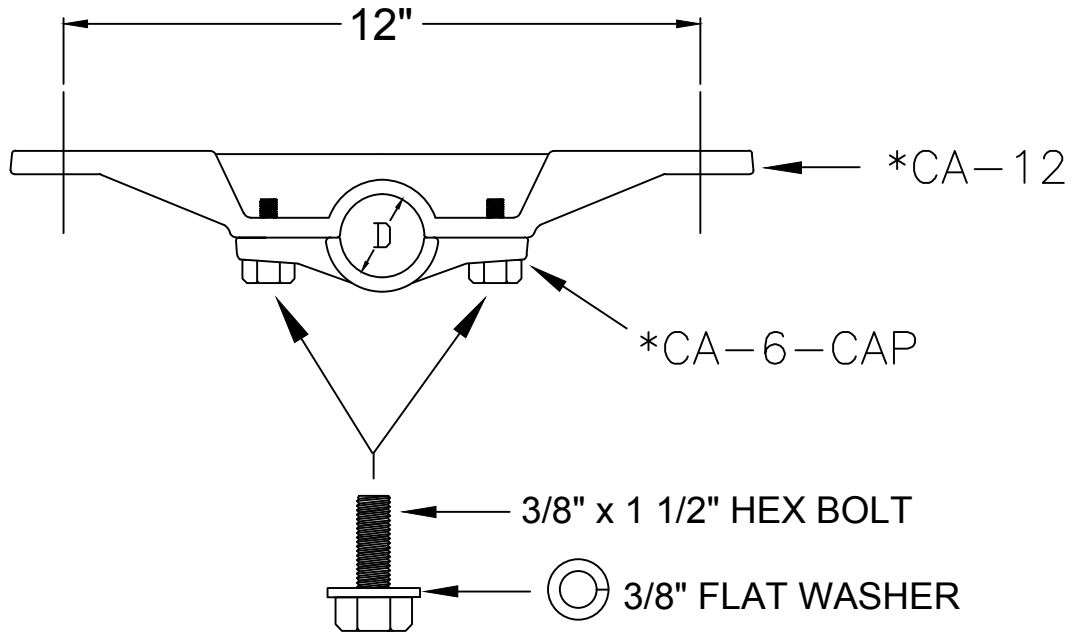


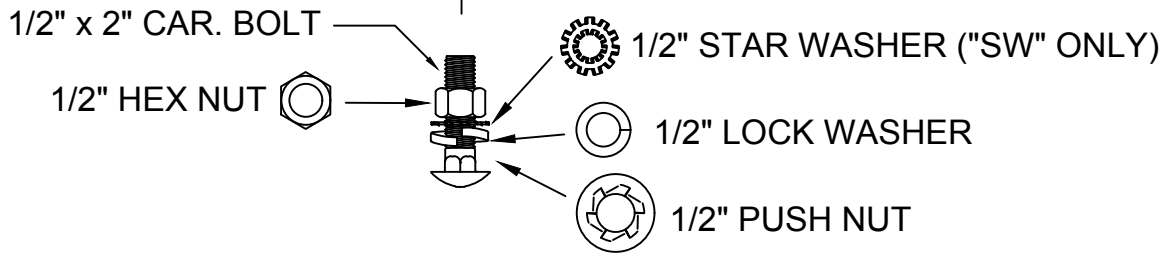
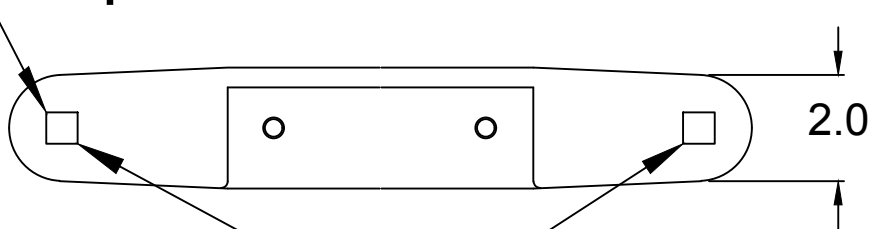
REVISIONS

NO.	DATE	DESCRIPTION	BY	CKD
1	03/21/18	ADDED ASSEMBLY NOTE	MBG	

⊙ ALL HARDWARE ASSEMBLED IN THE UPWARD DIRECTION



9/16" Sq.



PART NO.	CATALOG NO.	D	3/8" HEX BOLT	3/8" FLAT WASHER	1/2" CAR. BOLT	1/2" NUT	1/2" STAR WASHER	1/2" LOCK WASHER	1/2" PUSH NUT
F459085	CAB15-12-1.5	1.5"	H-0140-02	H-0500-03	-	-	-	-	-
F459090	CAB15-12-1.5-B	1.5"	H-0140-02	H-0500-03	H-0123-01	H-0400-04	-	H-0520-04	M-628-1
F459095	CAB15-12-1.5-SW	1.5"	H-0140-02	H-0500-03	H-0123-01	H-0400-04	M-654-4	H-0520-04	M-628-1
F459100	CAB15-12-2.0-SW	2.0"	H-0140-02	H-0500-03	H-0123-01	H-0400-04	M-654-4	H-0520-04	M-628-1

NOTES:

- 1.0 MATERIAL
- 1.1 CUTOUT - ALUMINUM, A356-T6
- 1.2 HARDWARE - STEEL
- 2.0 DIMENSIONS IN INCHES

MACLEAN POWER SYSTEMS
A Maclean-fogg Company

CAB15-12 SERIES
BOLT ON 15° CUTOUT

ENG. REF.

This information is confidential and is the property of Maclean Power Systems. It may not be made public or reproduced except that the Customer may make copies for use solely in installation, maintenance, and operation of products supplied by Maclean Power Systems.

DATE: 7-19-12	SCALE: 1:1	NO. CEB-4100	R/S: 1	SH.:
DRN: MYL	CRD:	APR:	DF:	