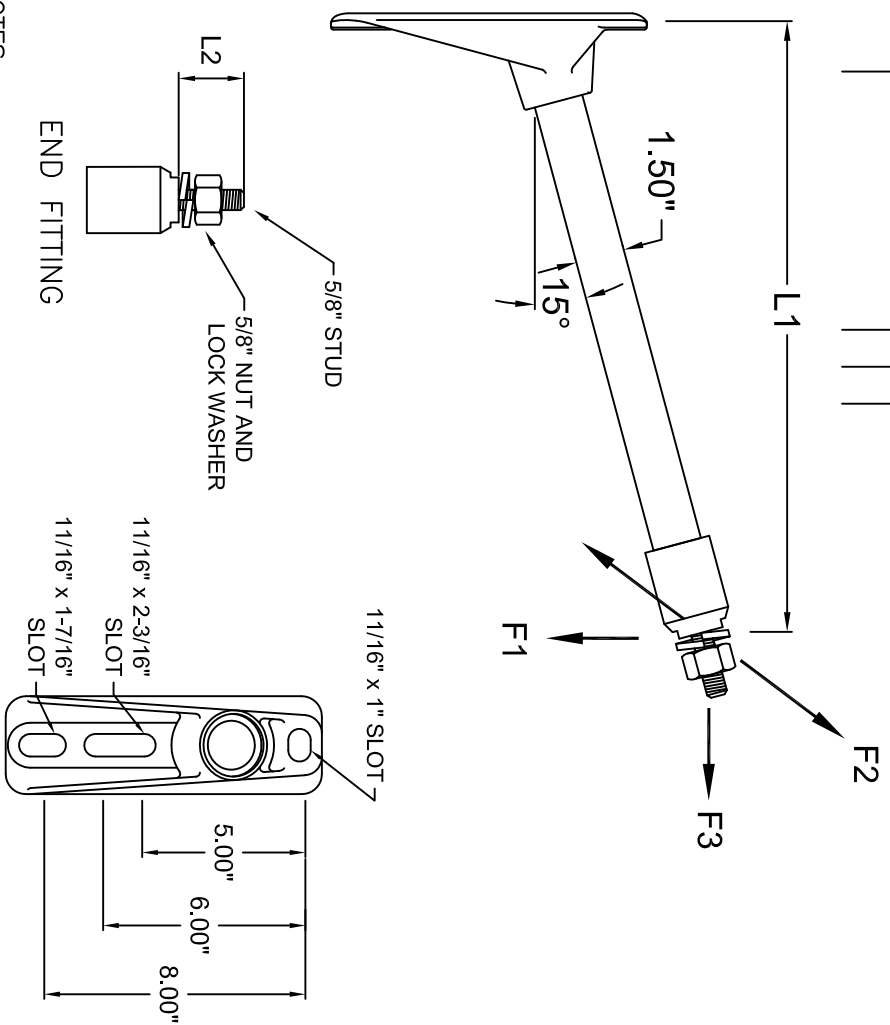


REVISIONS			
NO.	DATE	DESCRIPTION	BY / CHK



- NOTES:
- 1.0 MATERIAL
 - 1.1 BASE – DUCTILE IRON 654512
 - 1.2 END FITTING – DUCTILE IRON, 654512
 - 1.3 ROD – FIBERGLASS
 - 2.0 FINISH
 - 2.1 BASE – HOT DIP GALVANIZED PER ASTM-A-153
 - 2.2 END FITTING – HOT DIPPED GALVANIZED PER ASTM A-153
 - 2.3 ROD – ULTRAVIOLET PROTECTIVE COATING, MUNSEL GRAY (OPTIONAL) – VULCANIZED SILICONE RUBBER, GRAY
 - 3.0 DIMENSIONS IN INCHES

CATALOG NUMBER		LENGTHS (IN)		ULTIMATE MECHANICAL STRENGTHS (LBS)	
POLYURETHANE COATED SERIES	SILICONE RUBBER COATED SERIES	L1	L2	VERTICAL	LONGITUDINAL TRANSVERSE
G1MDA112DF	G1MDA112DFSC	12	2	1850	1600
G1MDA115DF	G1MDA115DFSC	15	2	1500	1350
G1MDA118DF	G1MDA118DFSC	18	2	1250	1100
G1MDA121DF	G1MDA121DFSC	21	2	1100	1000
G1MDA124DF	G1MDA124DFSC	24	2	950	850
G1MDA130DF	G1MDA130DFSC	30	2	750	700
G1MDA136DF	G1MDA136DFSC	36	2	600	550

CATALOG NUMBER		LENGTHS (IN)		ULTIMATE MECHANICAL STRENGTHS (LBS)	
POLYURETHANE COATED SERIES	SILICONE RUBBER COATED SERIES	L1	L2	VERTICAL	LONGITUDINAL TRANSVERSE
G1MDA1121ODF	G1MDA1121ODFSC	12	10	1850	1600
G1MDA1151ODF	G1MDA1151ODFSC	15	10	1500	1350
G1MDA1181ODF	G1MDA1181ODFSC	18	10	1250	1100
G1MDA1211ODF	G1MDA1211ODFSC	21	10	1100	1000
G1MDA1241ODF	G1MDA1241ODFSC	24	10	950	850
G1MDA1301ODF	G1MDA1301ODFSC	30	10	750	700
G1MDA1361ODF	G1MDA1361ODFSC	36	10	600	550

MACLEAN POWER SYSTEMS
A Maclean-Logg Company

G1MDA1-“L1”-DF SERIES
SINGLE PHASE, ANGLED FIBEROPTIC BRACKET

DATE: 12-05-12 SCALE: 1:1 NO. CEB-4112

DRW: KK CHK: KK WCL: R / 0

ENG. REF. This information is confidential and is the property of Maclean Power Systems. It may not be made public or reproduced except that the customer may make copies for use solely in his plant, maintenance, and operation of products supplied by Maclean Power Systems.