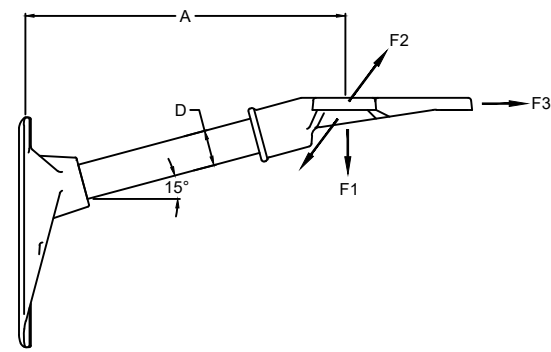
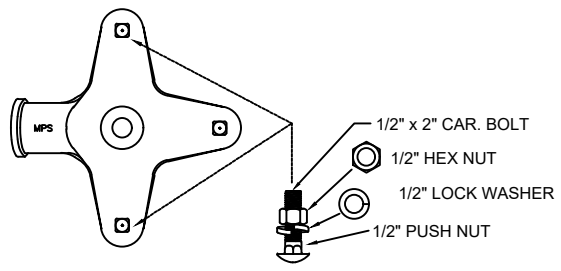


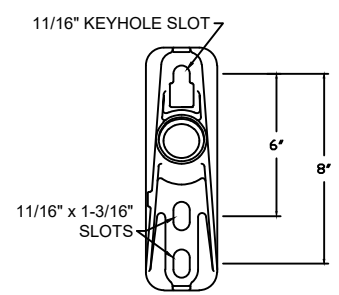
END FITTING: "AX" AND "AXSC"



CATALOG NUMBER		LENGTHS (IN)		ULTIMATE MECHANICAL STRENGTHS (LBS)	
POLYURETHANE COATED SERIES	SILICONE RUBBER COATED SERIES	L1	VERTICAL	LONGITUDINAL	TRANSVERSE
G1MDA312AX	G1MDA312AXSC	12	1800	1400	10000
G1MDA315AX	G1MDA315AXSC	15	1500	1150	10000
G1MDA318AX	G1MDA318AXSC	18	1200	900	10000
G1MDA321AX	G1MDA321AXSC	21	1025	775	10000
G1MDA324AX	G1MDA324AXSC	24	900	700	10000

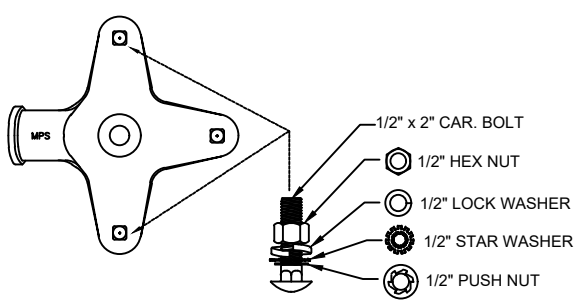


END FITTING (OPTIONAL): "AXB" AND "AXBC"

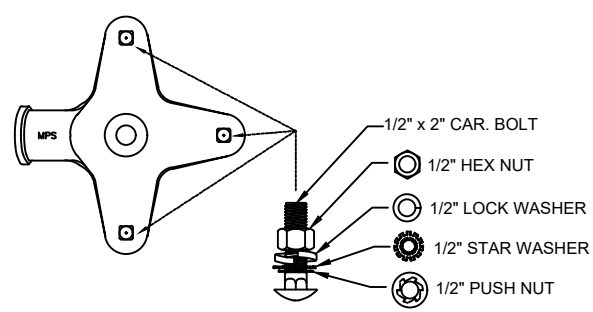


BASE VIEW

CATALOG NUMBER		LENGTHS (IN)		ULTIMATE MECHANICAL STRENGTHS (LBS)	
POLYURETHANE COATED SERIES	SILICONE RUBBER COATED SERIES	L1	VERTICAL	LONGITUDINAL	TRANSVERSE
G1MDA312AXB	G1MDA312AXBC	12	1800	1400	10000
G1MDA315AXB	G1MDA315AXBC	15	1500	1150	10000
G1MDA318AXB	G1MDA318AXBC	18	1200	900	10000
G1MDA321AXB	G1MDA321AXBC	21	1025	775	10000
G1MDA324AXB	G1MDA324AXBC	24	900	700	10000



END FITTING (OPTIONAL): "AXW" AND "AXWC"



END FITTING (OPTIONAL): "AXY" AND "AXYC"

NOTES:

- 1.0 MATERIAL
 - 1.1 BASE - DUCTILE IRON GRADE 654512
 - 1.2 END FITTING - ALUMINUM, A356-T6
 - 1.3 ROD - FIBERGLASS
- 2.0 FINISH
 - 2.1 BASE - HOT DIP GALVANIZED PER ASTM-A-153
 - 2.2 END FITTING - NONE
 - 2.3 ROD - ULTRAVIOLET PROTECTIVE VEIL COATING, GRAY (OPTIONAL) - VULCANIZED SILICONE RUBBER, GRAY
- 3.0 DIMENSIONS IN INCHES

REVISIONS

NO.	DATE	DESCRIPTION	BY	CHKD
1	12/13/17	ADDED "AXY" HARDWARE OPTION	MBG	MBG
2	05/21/20	UPDATED STAR WASHER VIEW	EDB	
3	11/19/21	CHANGED PAINT OPTION TO VEIL	EDB	

MACLEAN POWER SYSTEMS
A Maclean-fogg Company

G1MDA3-"L"-AX SERIES
SINGLE PHASE TRIPLE POSITION BRACKET

This information is confidential and is the property of Maclean Power Systems. It may not be made public or reproduced except that the Customer may make copies for use solely in installation, maintenance, and operation of products supplied by Maclean Power Systems.

DATE: 4-2-13 SCALE: 1:1 NO. CEB-4128
DWN: KK CDD: APR. R/3 SH. DF.

ENG. REF.