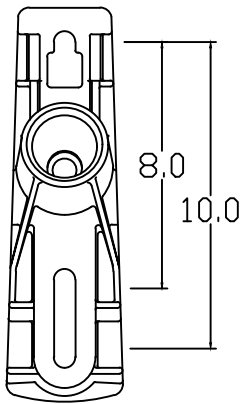
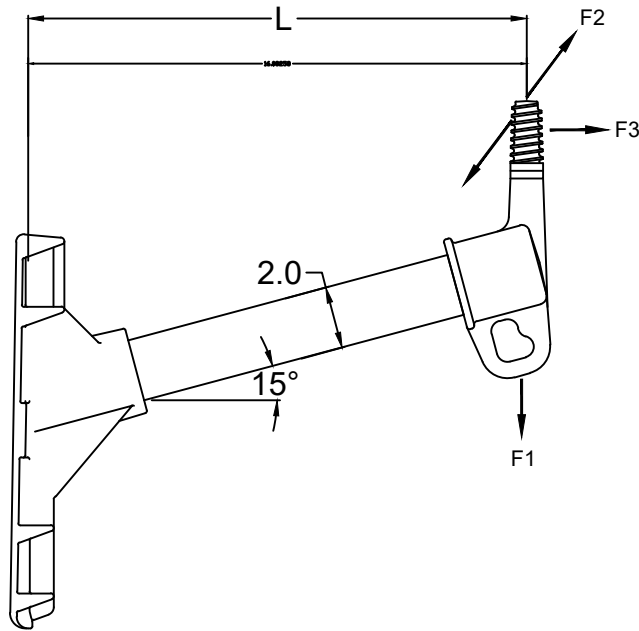


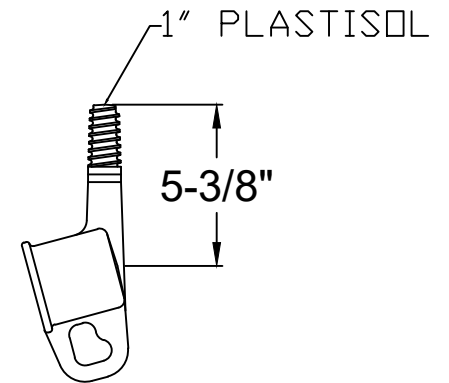
REVISIONS				
NO.	DATE	DESCRIPTION	BY	CHKD
1	02/26/18	ADDED 26" OPTION	MBC	
2	10/23/20	ADDED 18" OPTION	BHB	
3	02/17/21	ADDED 15" OPTION	BHB	



BASE VIEW - PD175K



CATALOG NUMBER		LENGTHS (IN)		ULTIMATE MECHANICAL STRENGTHS (LBS)		
POLYURETHANE COATED SERIES	SILICONE RUBBER COATED SERIES	L1	VERTICAL F1	LONGITUDINAL F2	TRANSVERSE F3	
G1HAA312AV1	G1HAA312AV1SC	12	3000	1800	2000	
G1HAA315AV1	G1HAA315AV1SC	15	2400	1450	2000	
G1HAA318AV1	G1HAA318AV1SC	18	2000	1200	2000	
G1HAA324AV1	G1HAA324AV1SC	24	1750	1100	2000	
G1HAA326AV1	G1HAA326AV1SC	26	1600	1000	2000	
G1HAA340AV1	G1HAA340AV1SC	40	1000	650	2000	



END FITTING VIEW - P-6512-01

NOTES:

- 1.0 MATERIAL
  - 1.1 BASE - ALUMINUM, A356-T6
  - 1.2 END FITTING - ALUMINUM, A356-T6
  - 1.3 ROD - FIBERGLASS
- 2.0 FINISH
  - 2.1 BASE - NONE
  - 2.2 END FITTING - NONE
  - 2.3 ROD - ULTRAVIOLET PROTECTIVE COATING, MUNSEL GRAY (OPTIONAL) - VULCANIZED SILICONE RUBBER, GRAY
- 3.0 DIMENSIONS IN INCHES

This information is confidential and is the property of Maclean Power Systems. It may not be made public or reproduced except that the Customer may make copies for use solely in installation, maintenance, and operation of products supplied by Maclean Power Systems.



**MACLEAN POWER SYSTEMS**  
A Maclean-fogg Company

G1HAA3-"L"-AV1 SERIES  
SINGLE PHASE, ANGLED VERTICAL PIN

ENG. REF.

DATE: 06/20/17	SCALE: 1:1	NO.	CEB-4537	R/3	SH/
DWG. BY: MBC	CHKD. BY:	APR. BY:			