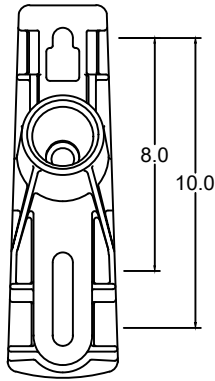
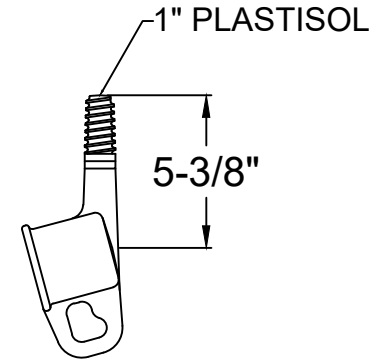
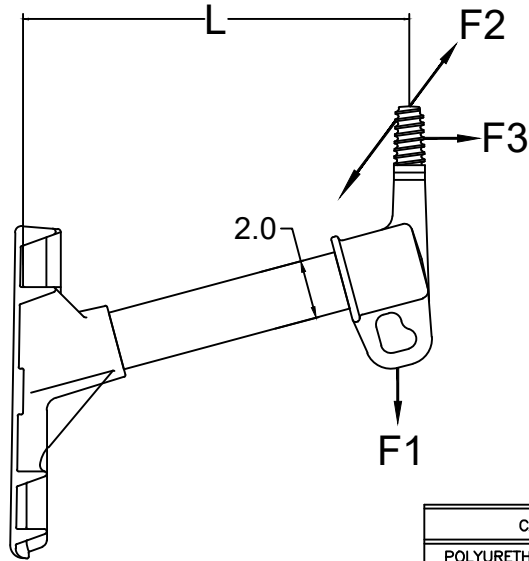


REVISIONS

NO.	DATE	DESCRIPTION	BY	CHKD
-----	------	-------------	----	------



BASE VIEW



END FITTING VIEW - P-6512-01

CATALOG NUMBER		LENGTHS (IN)		ULTIMATE MECHANICAL STRENGTHS (LBS)		
POLYURETHANE COATED SERIES	SILICONE RUBBER COATED SERIES	L1	VERTICAL F1	LONGITUDINAL F2	TRANSVERSE F3	
G1HAA412AV1	G1HAA412AV1SC	12	3000	1800	2000	
G1HAA418AV1	G1HAA418AV1SC	18	2250	1500	2000	
G1HAA424AV1	G1HAA424AV1SC	24	1750	1100	2000	
G1HAA426AV1	G1HAA426AV1SC	26	1600	1000	2000	
G1HAA430AV1	G1HAA430AV1SC	30	1350	900	2000	

NOTES:

- 1.0 MATERIAL
 - 1.1 BASE - ALUMINUM, A356-T6
 - 1.2 END FITTING - ALUMINUM, A356-T6
 - 1.3 ROD - FIBERGLASS
- 2.0 FINISH
 - 2.1 BASE - NONE
 - 2.2 END FITTING - NONE
 - 2.3 ROD - ULTRAVIOLET PROTECTIVE COATING, MUNSEL GRAY (OPTIONAL) - VULCANIZED SILICONE RUBBER, GRAY
- 3.0 DIMENSIONS IN INCHES

MACLEAN POWER SYSTEMS
A Maclean-fogg Company

G1HAA4-"L"-AV1 SERIES
SINGLE PHASE, ANGLED VERTICAL PIN

This information is confidential and is the property of Maclean Power Systems. It may not be made public or reproduced except that the Customer may make copies for use solely in installation, maintenance, and operation of products supplied by Maclean Power Systems.

ENG. REF.

DATE: 10-06-20	SCALE: 1:1	NO.	CEB-4602	R 0	SH. DF
DRAWN BY: BHB	CHKD BY:	APPR BY:			