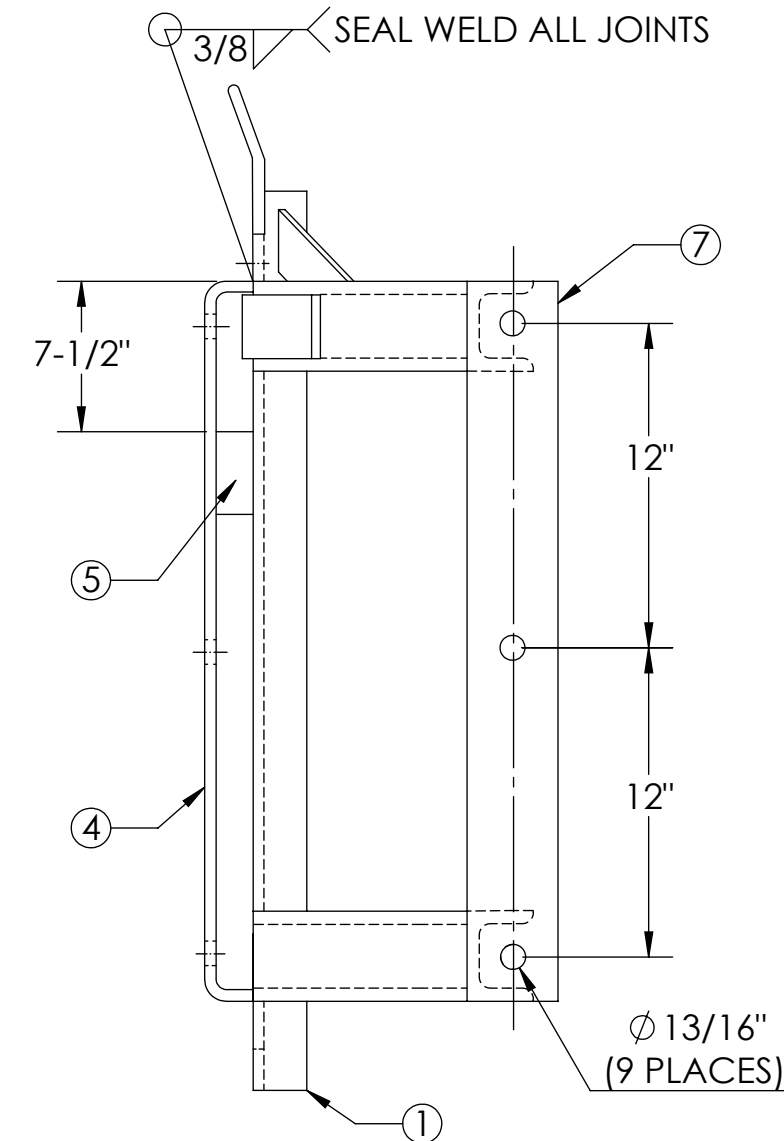
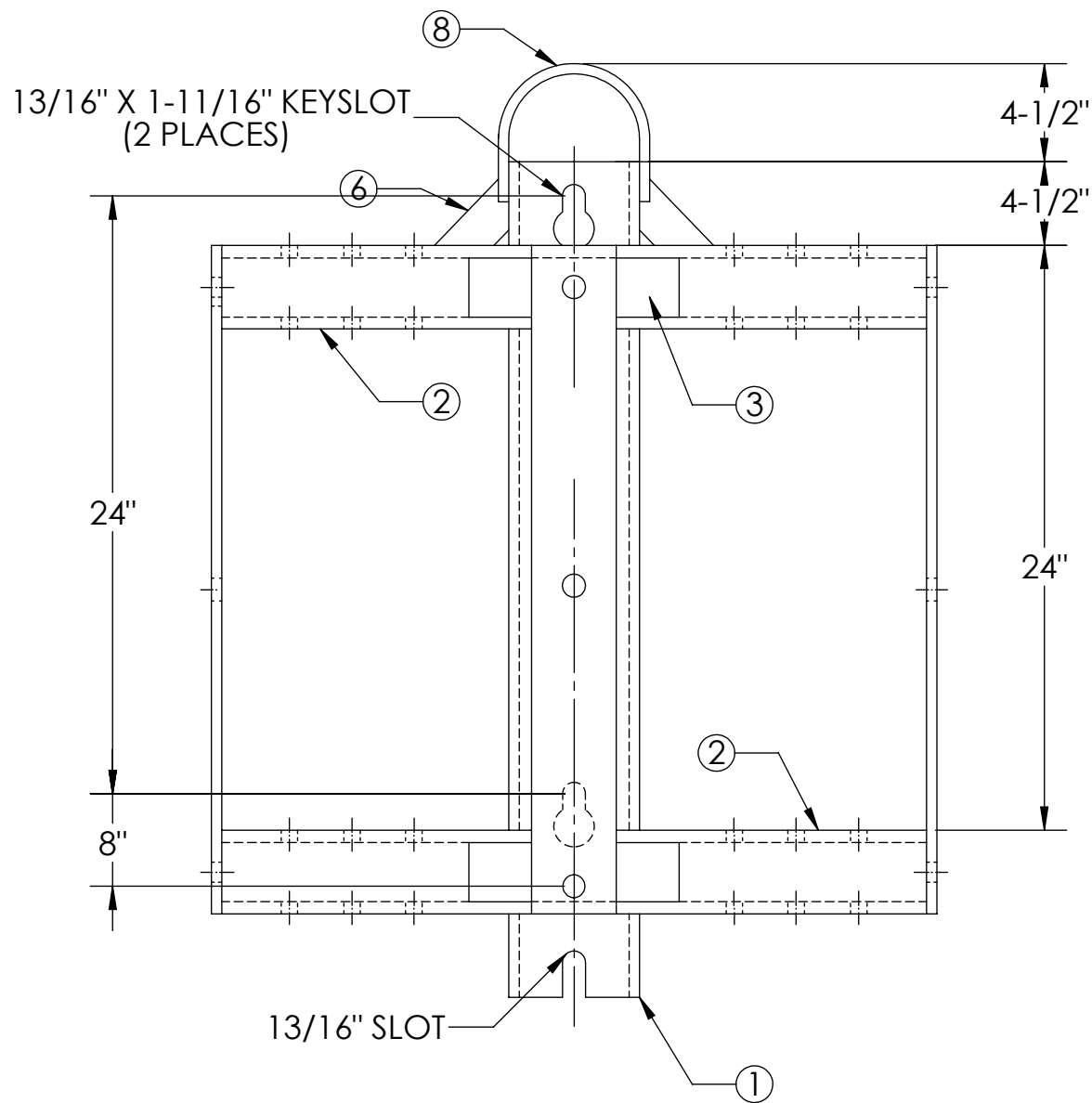
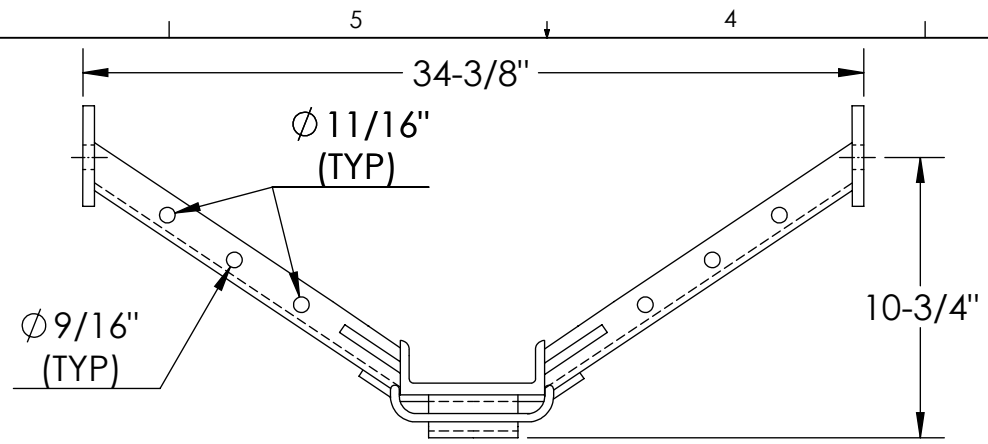


ITEM NO.	DESCRIPTION	QTY.
1	GAIN, CHANNEL, 6 x 36	1
2	ARM, CHANNEL, 4 x 17.56	4
3	REINFORCING PLATE, 3.5 x 14.5	1
4	MOUNT, FBAR FMD, .5 x 3 x 34	1
5	BRACE, FBAR, .25 x 2.75 x 3	1
6	GUSSET, FBAR, 1.5 x 4.5	2
7	MOUNT, FBAR, .5 x 3 x 28	2
8	LIFT RING, RBAR, .75 x 6	1
9	3/4" SPLIT LOCK WASHER	6
10	3/4" HEX NUT	6
11	3/4" X 2-3/4" MACH BOLT	6

PAPER SIZE		CATALOG NUMBER	
B		GD-D-0566	
REV	REVISED BY	REVISION DATE	ECO #
A	JAM	07-12-17	D8686



- NOTES:
 1. ALL DIMENSIONS ARE REFERENCE
 2. MATERIAL: GALV. STEEL

This drawing contains confidential information that is the property of MacLean Power, L.L.C. ("MacLean"). Use of MacLean's confidential information without MacLean's express written consent is strictly prohibited and may expose you to legal liability. If you believe that you received this material in error, please destroy it or return it to "MacLean Power, L.L.C., 481 Munn Rd, Suite 300, Fort Mill, SC 29715 USA."

**MACLEAN
POWER
SYSTEMS**
WWW.MACLEANPOWER.COM

DRAWING NUMBER: GD-D-0566	
SHEET NAME: Sheet1	1 OF 1
DRAWING DESCRIPTION: TRANSFORMER MOUNT BRACKET	
DRAWN BY: JAM	DESIGN DATE: