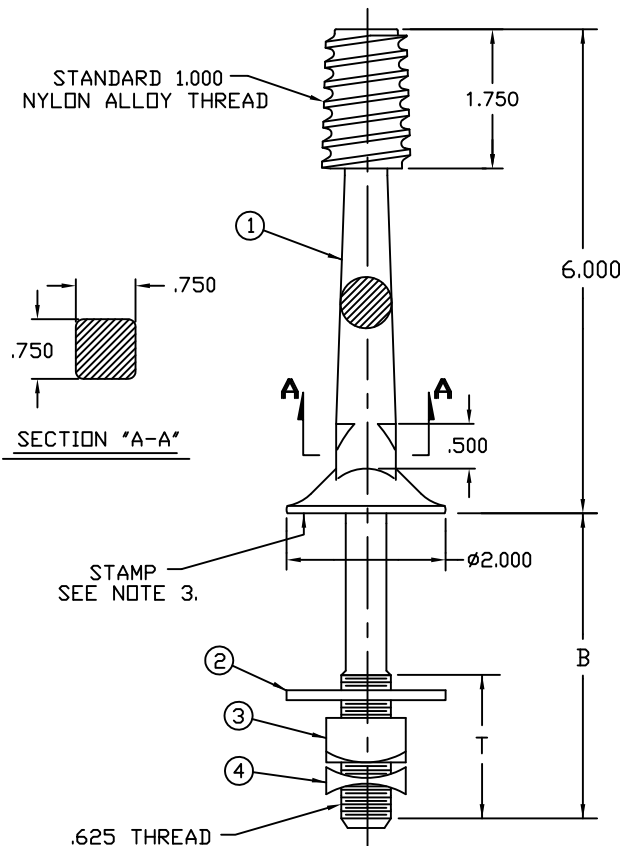


| | | |
|------------|----------------|-------|
| PAPER SIZE | DRAWING NUMBER | |
| B SIZE | GD-J206Z | |
| REV | REVISION DATE | ECO |
| A | 06-11-19 | D9557 |

MATERIAL:
 THREAD: NYLON ALLOY
 ALL OTHER: STEEL, COATED PER TABLE BELOW.

NOTES:
 1. ALL DIMENSIONS ARE REFERENCE AND IN INCHES EXCEPT AS NOTED.
 2. MANUFACTURER'S IDENTIFICATION MARK AND YEAR OF MANUFACTURE.
 3. CATALOG AND PART NUMBERS WITH "T" SUFFIX TO BE THERMAL DIFFUSION GALVANIZED PER ASTM A-1059.



| CATALOG NO. | B | T | COATING |
|-------------|-------|-------|---------------|
| J206Z | 5.750 | 3.000 | HDG ASTM 153 |
| J206ZT | 5.750 | 3.000 | TDG ASTM 1059 |

| ITEM | QTY | DESCRIPTION |
|------|-----|------------------------------------|
| 1 | 1 | STEEL PIN BODY |
| 2 | 1 | 2.000 X 2.000 X .125 SQUARE WASHER |
| 3 | 1 | .625 SQUARE NUT |
| 4 | 1 | .625 SQ M-F LOCKNUT |

| |
|-----------------------------|
| TOLERANCES UNLESS SPECIFIED |
| INCH |
| 0.XX |
| 0.XXX |
| ANGLE |



**MACLEAN
 POWER
 SYSTEMS**
 11411 ADDISON STREET
 FRANKLIN PARK, IL 60131

| | | | | | |
|-----------------------------|----------|---------|-----------|-------|----------------|
| DRAWN BY | ENGINEER | CHECKER | CATALOG # | SCALE | DESIGN DATE |
| MTT | RPM | MTT | SEE TABLE | NTS | 12-15-92 |
| DRAWING TITLE / DESCRIPTION | | | | | DRAWING NUMBER |
| PIN X ARM W/NA THD | | | | | GD-J206Z |

This drawing contains confidential information that is the property of MacLean Power, L.L.C. ("MacLean"). Use of MacLean's confidential information without MacLean's express written consent is strictly prohibited and may expose you to legal liability. If you believe that you received this material in error, please destroy it or return it to "MacLean Power, L.L.C., 11411 Addison, Franklin Park, Illinois 60131, USA."