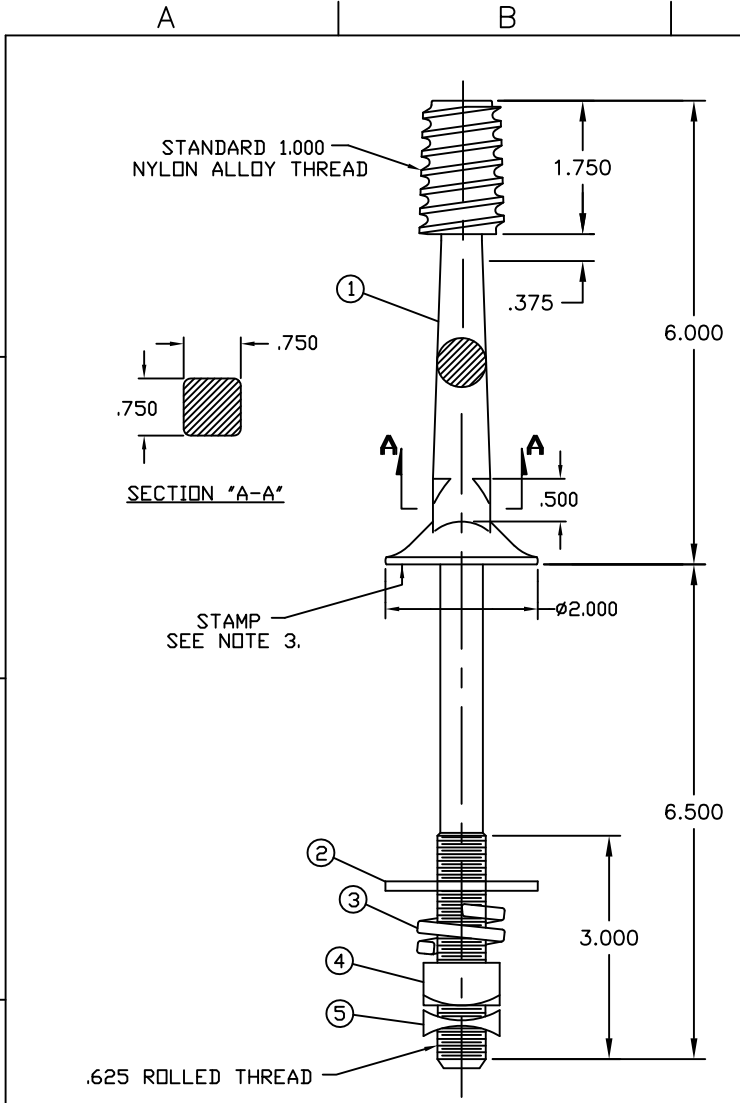


PAPER SIZE	DRAWING NUMBER	
B SIZE	GD-J207ZDC	
REV	REVISION DATE	ECO
A	05-31-12	10630



**MATERIAL:**

THREAD: NYLON ALLOY  
 STEEL PIN BODY, SQUARE WASHER, DOUBLE COIL LOCK WASHER, SQUARE NUT,  
 M-F LOCKNUT: CARBON STEEL

**NOTES:**

1. ALL DIMENSIONS ARE REFERENCE AND IN INCHES.
2. ALL ITEMS GALVANIZED EXCEPT 1.000 THREAD. WORKMANSHIP PER ASTM A-153.
3. MANUFACTURER'S IDENTIFICATION MARK ("J" STAMP) AND YEAR OF MANUFACTURE (example "12") IN LOCATION SHOWN.

ITEM	QTY	DESCRIPTION
1	1	STEEL PIN BODY
2	1	2.000 X 2.000 X .125 SQ WASHER
3	1	LOCKWASHER DOUBLE COIL 5/8
4	1	.625 SQ NUT
5	1	.625 SQ M-F LOCKNUT

TOLERANCES UNLESS SPECIFIED	
inch	
0.XX	— — —
0.XXX	— — —
ANGLE	— — —



DRAWN BY	ENGINEER	CHECKER	CATALOG #	SCALE	DESIGN DATE
RRL	RRL	JBB	J207ZDC	NTS	5-31-12
DRAWING TITLE / DESCRIPTION					DRAWING NUMBER
PIN X ARM W/NA THD					GD-J207ZDC

This drawing contains confidential information that is the property of MacLean Power, L.L.C. ("MacLean"). Use of MacLean's confidential information without MacLean's express written consent is strictly prohibited and may expose you to legal liability. If you believe that you received this material in error, please destroy it or return it to "MacLean Power, L.L.C., 11411 Addison, Franklin Park, Illinois 60131, USA."

DRAWING-COMPUTER LOCATION:  
 DRAWING-COMPUTER LOCATION: