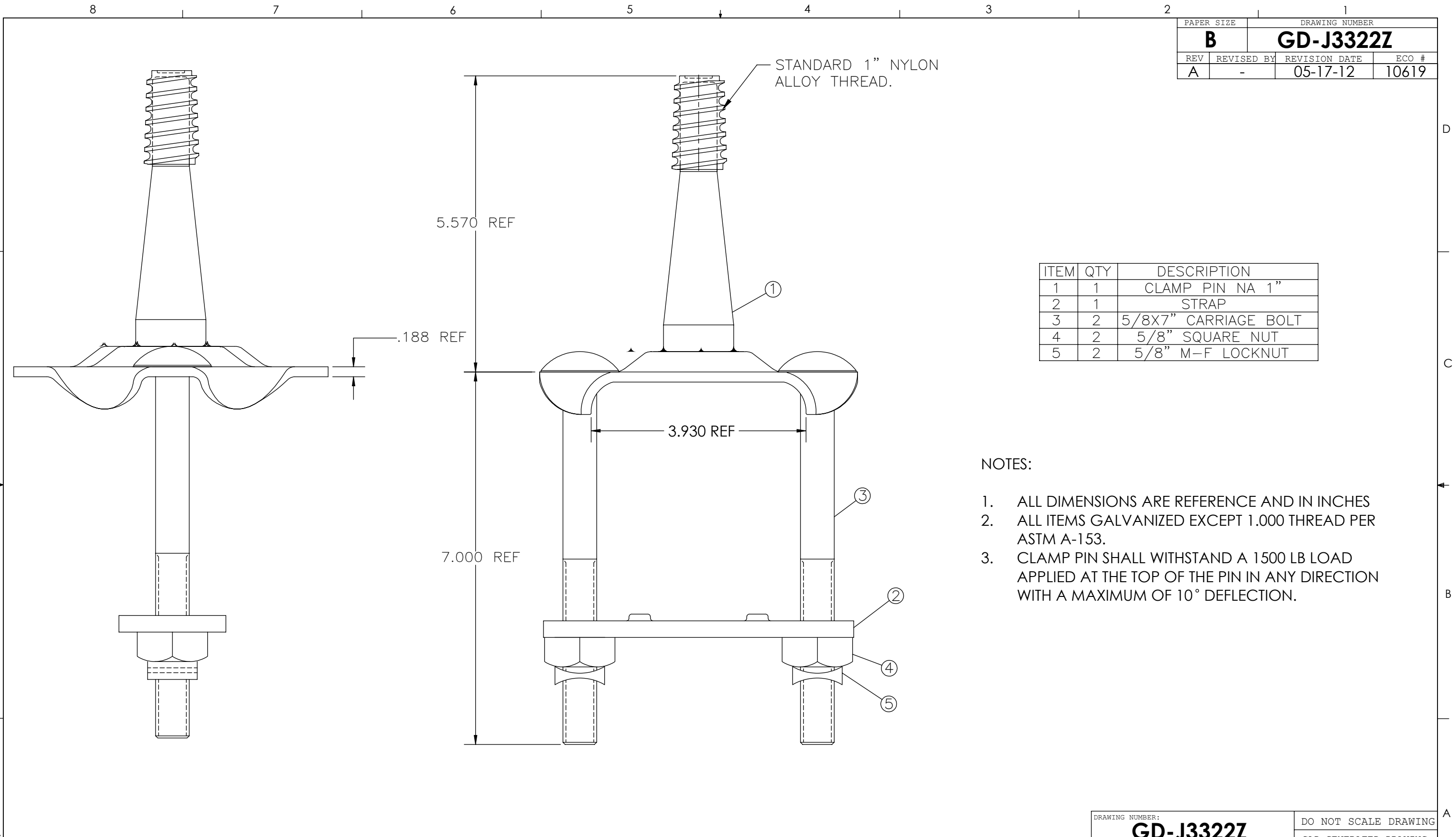


PAPER SIZE		DRAWING NUMBER	
<b>B</b>		<b>GD-J3322Z</b>	
REV	REVISED BY	REVISION DATE	ECO #
A	-	05-17-12	10619



ITEM	QTY	DESCRIPTION
1	1	CLAMP PIN NA 1"
2	1	STRAP
3	2	5/8X7" CARRIAGE BOLT
4	2	5/8" SQUARE NUT
5	2	5/8" M-F LOCKNUT

NOTES:

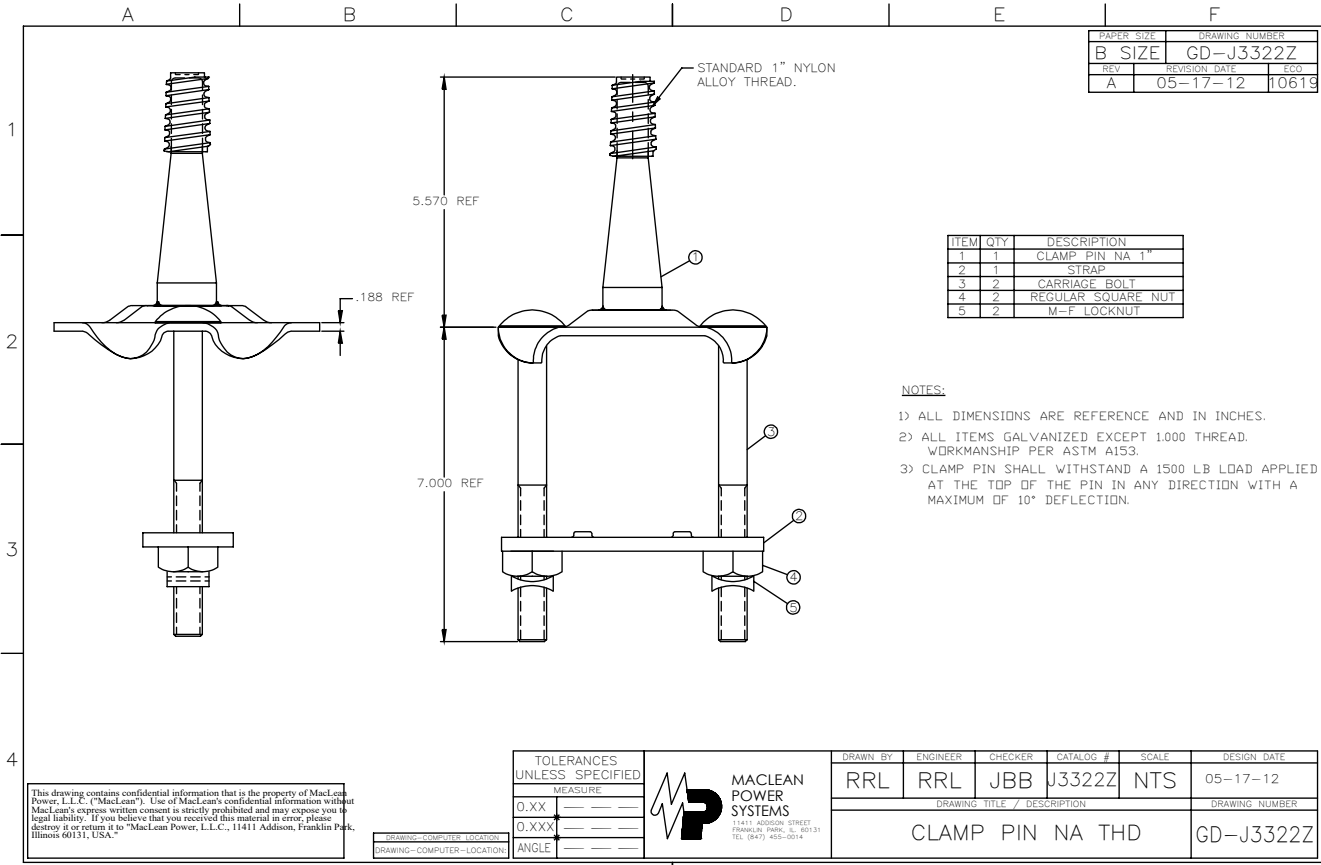
1. ALL DIMENSIONS ARE REFERENCE AND IN INCHES
2. ALL ITEMS GALVANIZED EXCEPT 1.000 THREAD PER ASTM A-153.
3. CLAMP PIN SHALL WITHSTAND A 1500 LB LOAD APPLIED AT THE TOP OF THE PIN IN ANY DIRECTION WITH A MAXIMUM OF 10° DEFLECTION.

This drawing contains confidential information that is the property of MacLean Power, L.L.C. ("MacLean"). Use of MacLean's confidential information without MacLean's express written consent is strictly prohibited and may expose you to legal liability. If you believe that you received this material in error, please destroy it or return it to "MacLean Power, L.L.C., 11411 Addison Street, Franklin Park, Illinois 60131, USA."

**MACLEAN  
POWER  
SYSTEMS**

11411 ADDISON STREET FRANKLIN PARK, IL. 60131  
TEL. (847) 455-0014 FAX: (847) 455-0029

DRAWING NUMBER: <b>GD-J3322Z</b>		DO NOT SCALE DRAWING	
SHEET NAME: <b>Model</b>		1 OF 2	
DRAWING DESCRIPTION: CLAMP PIN WITH NYLON THREAD			
DRAWING SCALE: NTS		DESIGN DATE:	
		DRAWN BY:	RRL
		ENGINEER:	RRL
		APPROVED:	JBB



PAPER SIZE	DRAWING NUMBER
B SIZE	GD-J3322Z
REV	REVISION DATE ECO
A	05-17-12 10619

ITEM	QTY	DESCRIPTION
1	1	CLAMP PIN NA 1"
2	1	STRAP
3	2	CARRIAGE BOLT
4	2	REGULAR SQUARE NUT
5	2	M-F LOCKNUT

- NOTES:
- 1) ALL DIMENSIONS ARE REFERENCE AND IN INCHES.
  - 2) ALL ITEMS GALVANIZED EXCEPT 1.000 THREAD. WORKMANSHIP PER ASTM A153.
  - 3) CLAMP PIN SHALL WITHSTAND A 1500 LB LOAD APPLIED AT THE TOP OF THE PIN IN ANY DIRECTION WITH A MAXIMUM OF 10" DEFLECTION.

This drawing contains confidential information that is the property of MacLean Power, L.L.C. ("MacLean"). Use of MacLean's confidential information without MacLean's express written consent is strictly prohibited and may expose you to legal liability. If you believe that you received this material in error, please destroy it or return it to MacLean Power, L.L.C., 11411 Addison, Franklin Park, Illinois 60131, USA.

DRAWING-COMPUTER-LOCATION  
DRAWING-COMPUTER-LOCATION

TOLERANCES UNLESS SPECIFIED
MEASURE
0.XX
0.XXX
ANGLE



DRAWN BY	ENGINEER	CHECKER	CATALOG #	SCALE	DESIGN DATE
RRL	RRL	JBB	J3322Z	NTS	05-17-12
DRAWING TITLE / DESCRIPTION					DRAWING NUMBER
CLAMP PIN NA THD					GD-J3322Z

Form: 00\_Rev. / 03-22-05