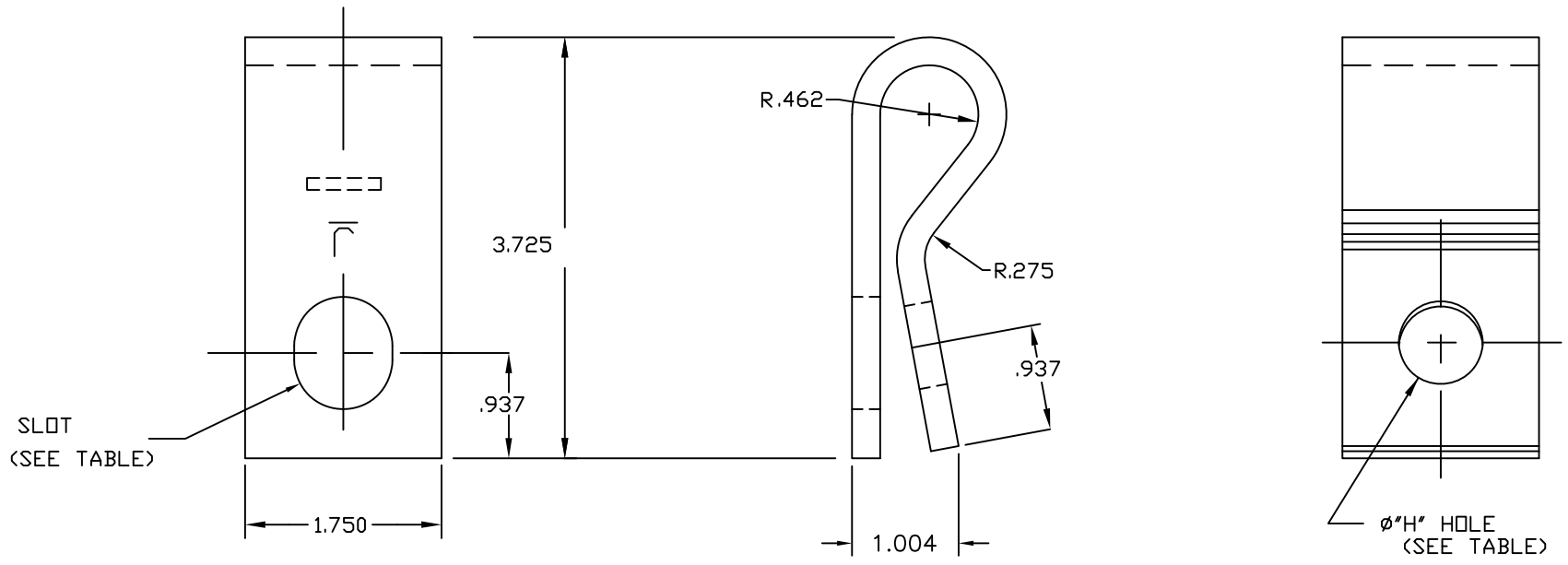


A | B | C | D | E | F

PAPER SIZE		DRAWING NUMBER	
B SIZE		GD-J354X-T	
REV	REVISION DATE	ECO	
A	06-12-20	D9933	



SLOT
(SEE TABLE)

Ø"H" HOLE
(SEE TABLE)

CATALOG #	BOLT DIA	SLOT SIZE	Ø"H" HOLE
J3540T	0.625	.750 X .875	.750
J3541T	0.750	.875 X 1.000	.875

NOTES:

- 1) ALL DIMENSIONS ARE IN INCHES EXCEPT AS NOTED.
- 2) THERMAL DIFFUSION GALVANIZED PER ASTM A-1059

RAW MATERIAL:

.250 THICK 1031 HOT ROLLED CARBON STEEL

This drawing contains confidential information that is the property of MacLean Power, L.L.C. ("MacLean"). Use of MacLean's confidential information without MacLean's express written consent is strictly prohibited and may expose you to legal liability. If you believe that you received this material in error, please destroy it or return it to "MacLean Power, L.L.C., 11411 Addison, Franklin Park, Illinois 60131, USA."

DRAWING-COMPUTER LOCATION:
DRAWING-COMPUTER LOCATION:

TOLERANCES UNLESS SPECIFIED	
	inch
0.XX	
0.XXX	
ANGLE	



DRAWN BY	ENGINEER	CHECKER	CATALOG #	SCALE	DESIGN DATE
BAB	BAB	MG	J354X-T	NTS	06-12-20
DRAWING TITLE / DESCRIPTION					DRAWING NUMBER
SPRING WASHER					GD-J354X-T