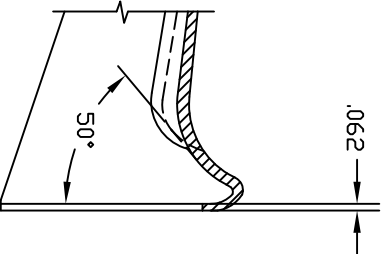
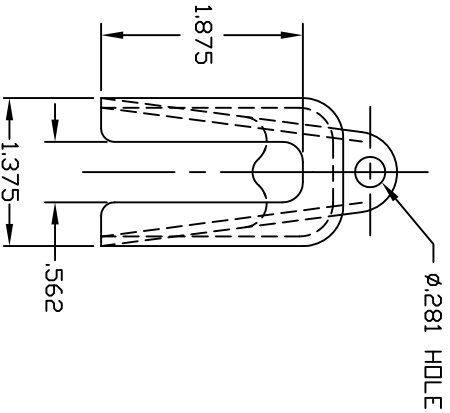
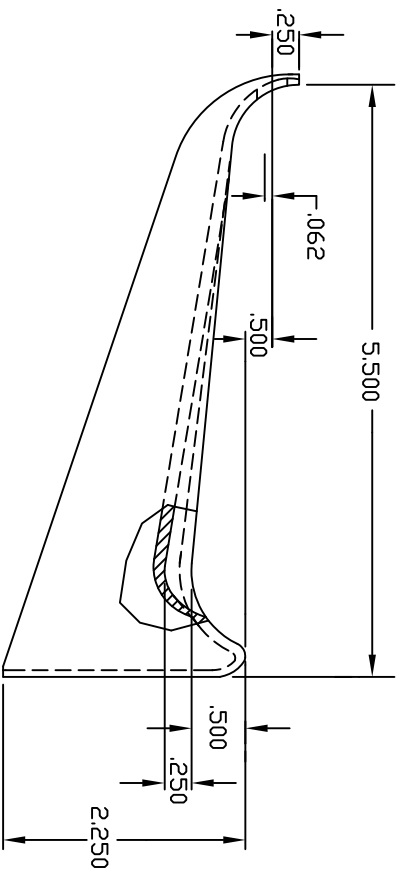
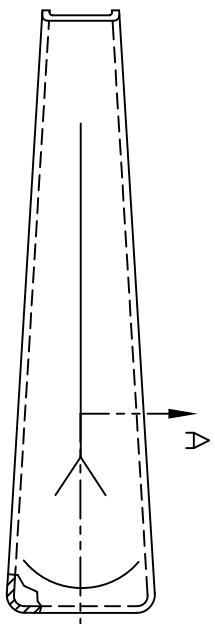


A | B | C | D | E | F

PAPER SIZE	DRAWING NUMBER
B SIZE	GD-J6236
REV	REVISION DATE
A	08-04-17
	ECO
	D8714



PARTIAL SECTION A-A

MATERIAL:

HOT ROLLED CARBON STEEL

NOTES:

- 1) ALL DIMENSIONS ARE IN INCHES, EXCEPT AS NOTED.
- 2) STANDARD PACK OF 100 PIECES

This drawing contains confidential information that is the property of Maclean Power, L.L.C. ("Maclean"). Use of Maclean's confidential information without Maclean's express written consent is strictly prohibited and may expose you to legal liability. If you believe that you received this material in error, please destroy it or return it to "Maclean Power, L.L.C., 11411 Addison, Franklin Park, Illinois 60131, USA."

DRAWING-COMPUTER LOCATION:
DRAWING-COMPUTER LOCATION:

TOLERANCES UNLESS SPECIFIED	inch
0.XX	—
0.XXX	±.031
ANGLE	± 2°



DRAWN BY		ENGINEER		CHECKER		CATALOG #		SCALE		DESIGN DATE	
RRL		RRL		JBB		J6236		NTS		03-17-93	
DRAWING TITLE / DESCRIPTION											
POLE STEP DETACHABLE											
DRAWING NUMBER											
GD-J6236											

PART NO. F102555