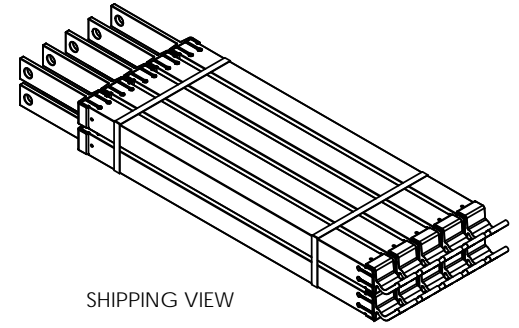
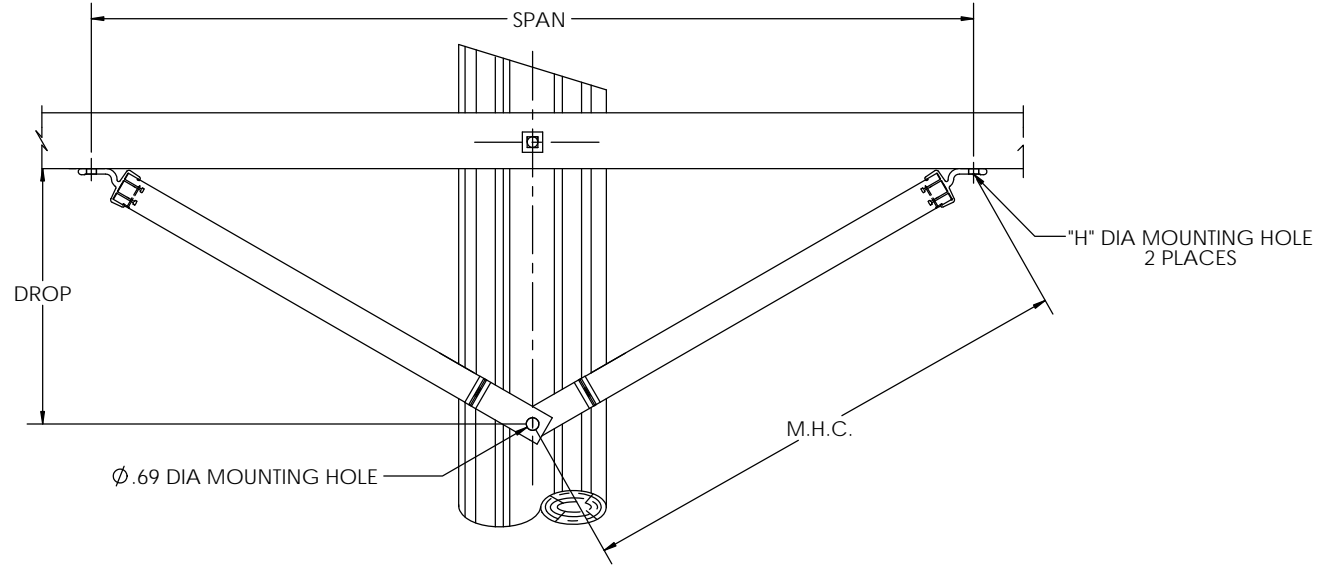


PAPER SIZE		CATALOG NUMBER	
B		GD-JA47-BRACES	
REV	REVISED BY	REVISION DATE	ECO #
A	JAM	09-21-2015	11851
B	BAB	03-23-20	D9850



SHIPPING VIEW



CATALOG NO.	SPAN	DROP	M.H.C.	"H" DIA	B °	WEIGHT/PAIR
JA4712R	42	12	24.187	.562	30	3.6
JA4716R	42	16	26.401	.562	30	4
JA4788R	48	18	30.000	.562	37	5.6
JA4714R	48	14	27.785	.562	45	4.2
JA4748R	48	24	33.941	.562	30	5.8
JA4760R	60	18	34.986	.562	30	6.6
JA4761R	60	26	39.699	.562	45	7.5
JA4730R	60	30	42.426	.562	45	8
JA4766R	66	20	38.588	.562	30	7.2
JA4772R	72	22	42.190	.562	30	7.9
JA1370RS.2	72	36	50.912	.687	45	8

- NOTES:
1. ALL DIMENSIONS IN INCHES
 2. EACH CATALOG NUMBER INCLUDES 1-PAIR (2 BRACES)
 3. SHIPS IN PACK OF 5 PAIRS.

This drawing contains confidential information that is the property of MacLean Power, L.L.C. ("MacLean"). Use of MacLean's confidential information without MacLean's express written consent is strictly prohibited and may expose you to legal liability. If you believe that you received this material in error, please destroy it or return it to "MacLean Power, L.L.C., 481 Munn Rd, Suite 300, Fort Mill, SC 29715 USA."

**MACLEAN
POWER
SYSTEMS**

WWW.MACLEANPOWER.COM

DRAWING NUMBER: GD-JA47-BRACES	
SHEET NAME: Sheet1	1 OF 1
DRAWING DESCRIPTION: JA SERIES BRACES	
DRAWN BY: JAM	DESIGN DATE: