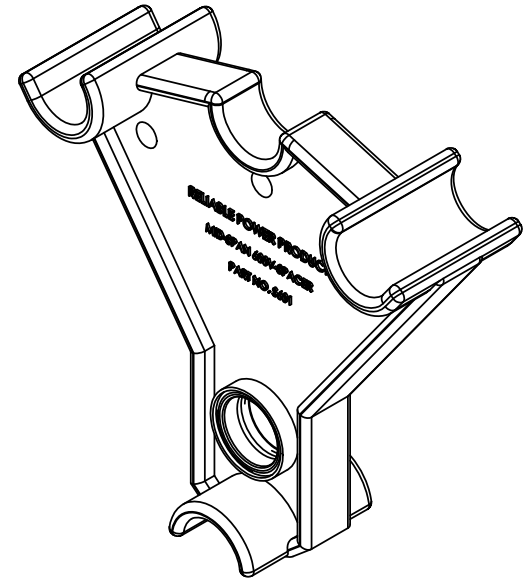
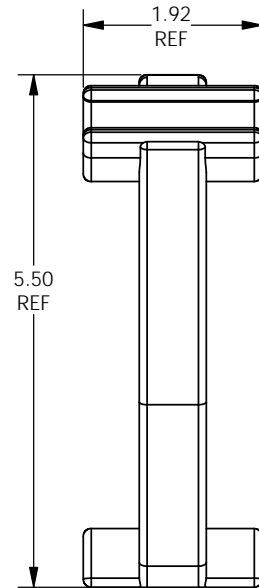
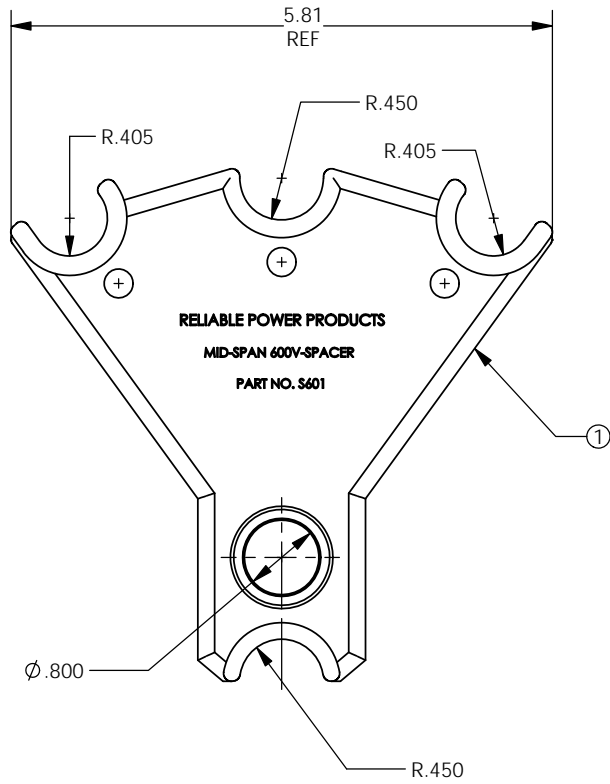


PAPER SIZE		CATALOG NUMBER	
B		GD-S601	
REV	REVISED BY	REVISION DATE	ECO #
A	RHJ	05-08-2014	11287



- NOTES:
1. MATERIAL: HDPE
 2. BUSHING MATERIAL: BRASS
 3. PACKAGE 50 PC PER BOX
 4. EST WEIGHT: 0.25 LBS

This drawing contains confidential information that is the property of MacLean Power, L.L.C. ("MacLean"). Use of MacLean's confidential information without MacLean's express written consent is strictly prohibited and may expose you to legal liability. If you believe that you received this material in error, please destroy it or return it to "MacLean Power, L.L.C., 481 Munn Rd, Suite 300, Fort Mill, SC 29715 USA."



**MACLEAN
POWER
SYSTEMS**

WWW.MACLEANPOWER.COM

DRAWING NUMBER:		GD-S601	
SHEET NAME:	XXXXXXXX	1 OF 1	
DRAWING DESCRIPTION:			
CABLE SPREADER ASSEMBLY S-601			
DRAWN BY: RHJ		DESIGN DATE: 05-08-14	