

MPS Catalog Number:

Date:

**H1 90 10 014 BX SS 006**

05/19/2021

**End Fittings**

Tower End Fitting:

Gain / 12 deg / Steel

Line End Fitting:

Anchor / Ductile Iron  
2 HL Drop Tongue / Ductile Iron

**Material**

Corona Ring (Tower):

None

Corona Ring (Line):

None

Corona Rings are recommended for applications of 230 kV and above

Mounting Angle:

12 deg

Number of Sheds:

6

Rod Diameter:

2 in

Weight Estimate:

41.8 lbs

19 kg

**Dimensional Values**

Section Length (L):

24.1 in 612 mm

Rubber Length (X):

14 in 356 mm

Shed spacing (S):

2 in 51 mm

Shed Projection (P):

2.7 in 68 mm

Dry Arc Distance:

17 in 432 mm

Leakage Distance:

44.3 in 1,125 mm

**Electricals Values**

60 Hz dry Flashover (Min. Withstand):

176 kV 165 kV

60 Hz Wet Flashover (Min. Withstand):

156 kV 118 kV

CIFO Positive (Min. Withstand):

298 kV 263 kV

CIFO Negative (Min. Withstand):

379 kV 296 kV

**Mechanical Values**

Max. Design Cant. Load (MDCL):

2,122 lbs 9.4 kN

Specified Cant. Load (SCL):

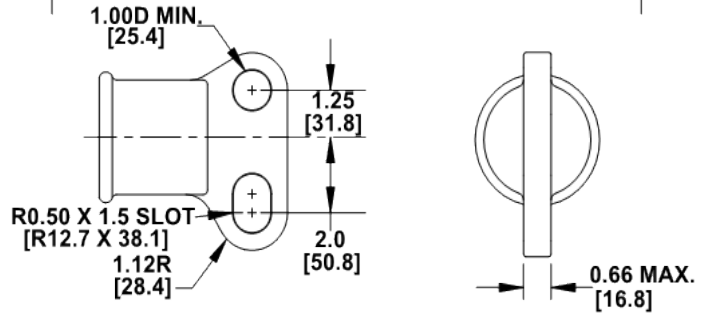
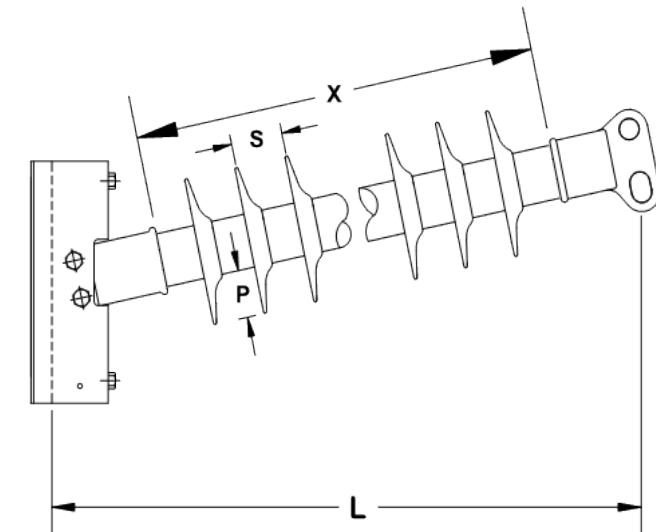
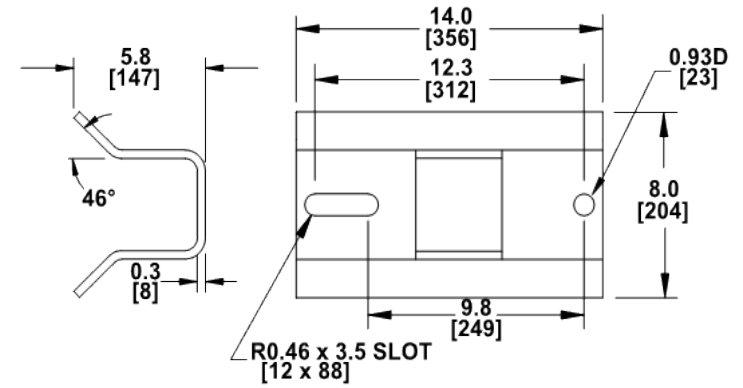
4,244 lbs 18.9 kN

Specified Tensile Load (STL):

7,000 lbs 31.1 kN

This drawing contains confidential information that is the property of MacLean Power, L.L.C. ("MacLean"). Use of MacLean's confidential information without MacLean's express written consent is strictly prohibited and may expose you to legal liability. If you believe that you received this material in error, please destroy it or return it to "MacLean Power, L.L.C., 7801 Park Place Rd., York, South Carolina 29745, USA."

Notes:



Dimension: inches [millimeters]

NOTE: Drawing not actual depiction of insulator appearance.

Silicone rubber sheath and sheds complies with applicable ANSI and IEC standards.

Prepared By: Laurel Wallace