

PAPER SIZE		DRAWING NUMBER	
B		H13	
REV	REVISED BY:	REVISION DATE	ECO #
X	XXX	XX/XX/XX	XXX
X	XXX	XX/XX/XX	XXX

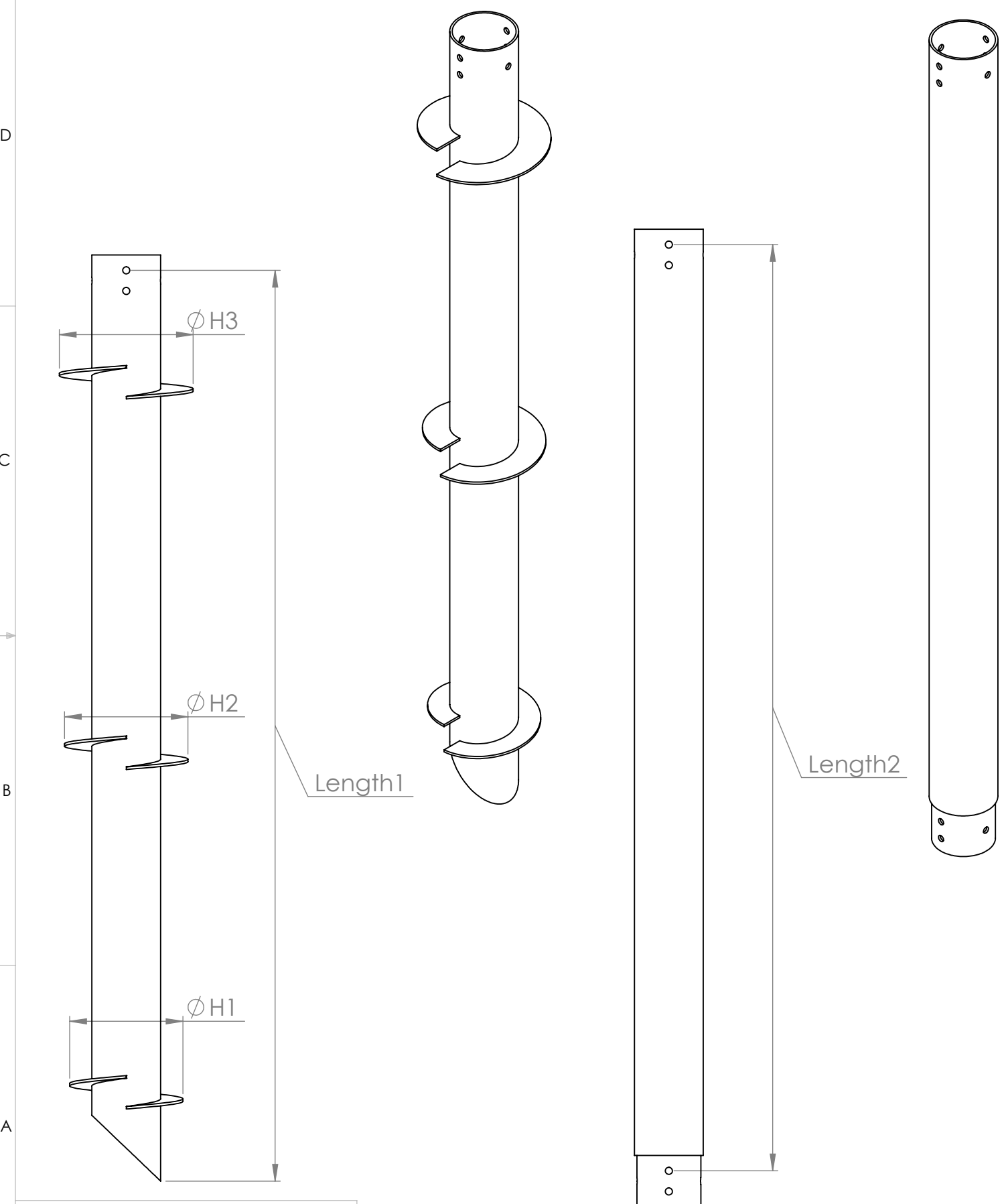
**9.625" (0.545" wall) DISPLACEMENT PILE
(torque rating 300,000 ft-lbs)**

Notes:

- Bolted sleeve couplers
- Shaft Material - OCTG pipe - 80 ksi min yield
- Driver Plate Material - Hot rolled low carbon steel per ASTM A572 Grade 50 minimum
- Connection Hardware - Bolts per ASTM A325. Jam nuts per A563. Hot dipped galvanized per ASTM A153
- All welds performed by welders certified by AWS code D1.1
- All driver plates formed with nominal 6" pitch.
- Nominal spacing between driver plates is 3 times the diameter of the lower plate
- Products Hot Dipped Galvanized per ASTM A123 following fabrication. Non-galvanized products are designated with a "U" catalog number suffix.
- Ultimate mechanical rating for axial (compression and tension) loading is 933 kips
- Recommended Kt factor of 2.5 ft-1
- Custom lead and extension lengths up to 40' and driver plate configurations available upon request

Catalog Number	H1, H2, H3 (in)	Length1 (ft)
H13L20T242628	24, 26, 28	20
H13L15T222426	22, 24, 26	15
H13L15T202224	20, 22, 24	15

Catalog Number	Length2 (ft)
H13E20	20
H13E15	15
H13E10	10



USE OR REPRODUCTION OF THIS DRAWING FOR THE PURPOSE OF MANUFACTURING THIS ARTICLE OR ARTICLES SHOWN OR ANY OTHER PURPOSE IS STRICTLY PROHIBITED EXCEPT ON WRITTEN PERMISSION **MACLEAN POWER SYSTEMS**

**MACLEAN
POWER
SYSTEMS**
TRENTON CAMPUS
1465 INDUSTRIAL PARK DRIVE
TRENTON, TN 38382
TEL. (731) 470-3400 FAX: (731) 470-3402

DRAWING NUMBER: H13		DO NOT SCALE DRAWING	
SHEET NAME: Sheet1		1 OF 1	
DRAWING DESCRIPTION: 13.375" bolted coupler pile		DESIGN DATE: 12/20/21	
DRAWING SCALE: 1:25		DRAWN BY:	DR
		ENGINEER:	DR
		APPROVED:	XXX
		REF DWG:	X