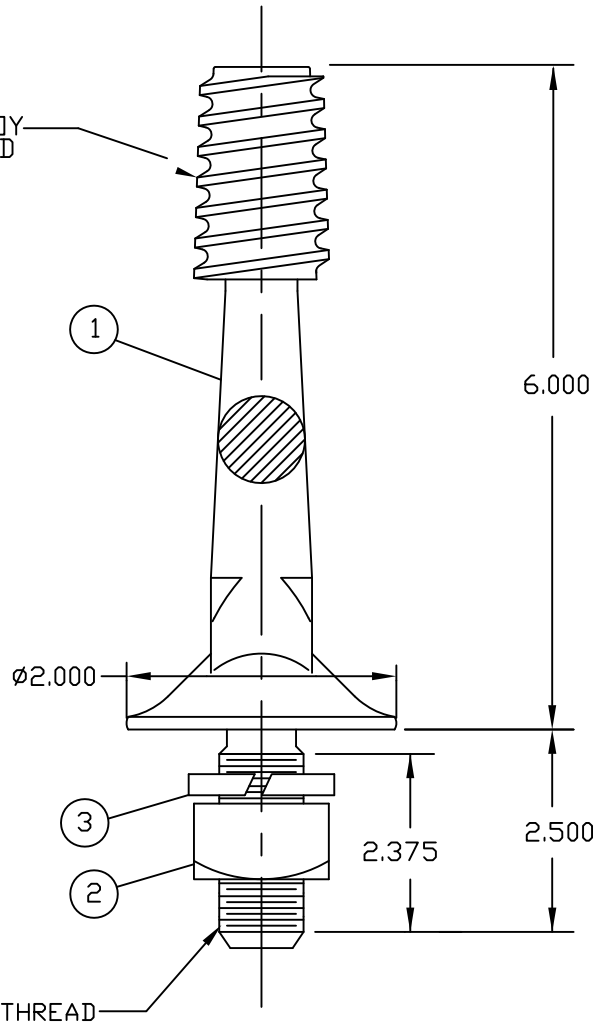


A | B | C | D | E | F

PAPER SIZE	DRAWING NUMBER	
B SIZE	GD-J222Z	
REV	REVISION DATE	ECO
A	06-11-19	D9557

NYLON ALLOY
1.000" THREAD



MATERIAL:
 THREAD: NYLON ALLOY
 ALL OTHER: STEEL GALVANIZED PER ASTM A-153

NOTES:
 1. ALL DIMENSIONS ARE REFERENCE AND IN INCHES EXCEPT AS NOTED.

ITEM	QTY	DESCRIPTION
1	1	STEEL PIN BODY
2	1	.625 SQUARE NUT
3	1	.625 SPLIT LOCKWASHER

CATALOG # J222Z

.625" THREAD

This drawing contains confidential information that is the property of MacLean Power, L.L.C. ("MacLean"). Use of MacLean's confidential information without MacLean's express written consent is strictly prohibited and may expose you to legal liability. If you believe that you received this material in error, please destroy it or return it to "MacLean Power, L.L.C., 11411 Addison, Franklin Park, Illinois 60131, USA."

TOLERANCES UNLESS SPECIFIED	
INCH	
0.XX	----
0.XXX	----
ANGLE	----



DRAWN BY	ENGINEER	CHECKER	CATALOG #	SCALE	DESIGN DATE
MTT	RRL	MTT	J222Z	NTS	07-13-92
DRAWING TITLE / DESCRIPTION					DRAWING NUMBER
PIN X ARM W/NA THD					GD-J222Z