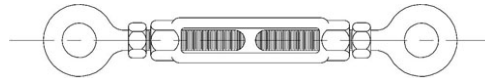


Features

- For bolt, nut and cotter add BC suffix
- Turnbuckles recommended for straight or in-line pull only

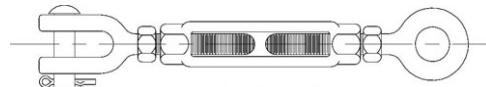
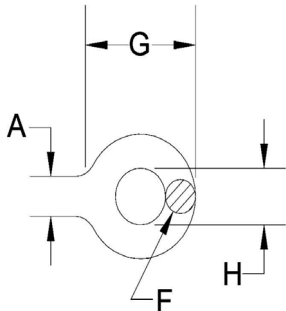
Material

- Hot dip galvanized steel



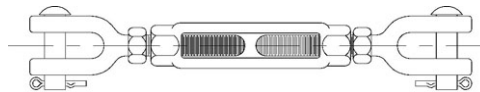
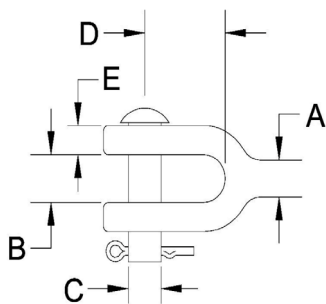
Eye & Eye

Catalog Number	Thread Dia. & Take Up	Ultimate Loads	A	F	G	H	Open	Close	Weight (lbs)
G-226-N-3/4x6	0.75x6	26000	0.75	0.63	2.75	1.5	20.75	14.75	3.98
G-226-N-3/4x9	0.75x9	26000	0.75	0.63	2.75	1.5	27	18	5.13
G-226-N-3/4x12	1.25x12	76000	1.25	1.12	5.50	2.12	42.50	30.50	19.00
G-226-N-3/4x18	0.83x18	36000	0.83	0.88	3.5	1.75	46.5	28.5	12.12
G-226-N-7/8x12	0.75x12	26000	0.75	0.63	2.75	1.5	33.75	21.75	5.81
G-226-N-7/8x18	0.75x18	26000	0.75	0.63	2.75	1.5	45.75	27.75	6.66
G-226-N-1x6	1.00x6	50000	1.00	0.88	3.75	2.00	23.00	17.00	8.05
G-226-N-1x12	1.00x12	50000	1.00	0.88	3.75	2.00	37.00	25.00	10.78
G-226-N-1x18	1.00x18	50000	1.00	0.88	3.75	2.00	39.00	31.00	13.86
G-226-N-1 1/4x12	0.83x12	36000	0.83	0.88	3.5	1.75	34.5	22.5	7.88



Jaw & Eye

Catalog Number	Thread Dia. & Take Up	Ultimate Loads	A	B	C	D	E	F	G	H	Open	Close	Weight (lbs)
G-227-NBC-1x12	1 x 12	50000	1.00	1.19	0.88	2.41	0.69	0.88	3.75	2.00	37.25	25.25	11.38
G-227-NBC-1x18	1 x 18	50000	1.00	1.19	0.88	2.41	0.69	0.88	3.75	2.00	49.25	31.25	14.63
G-227-NBC-1x6	1 x 6	50000	1.00	1.19	0.88	2.41	0.69	0.88	3.75	2.00	25.13	19.13	8.72
G-227-NBC-3/4x12	0.75 x 12	26000	0.75	0.94	0.63	1.84	0.5	0.63	2.75	0.5	34	22	6.03
G-227-NBC-3/4x18	0.75 x 18	26000	0.75	0.94	0.63	1.84	0.5	0.63	2.75	1.5	46	28	7.02
G-227-NBC-3/4x6	0.75 x 6	26000	0.75	0.94	0.63	1.84	0.5	0.63	2.75	1.5	21.63	15.63	4.03
G-227-NBC-3/4x9	0.75 x 9	26000	0.75	0.94	0.63	1.84	0.5	0.63	2.75	1.5	27.75	18.75	5.23
G-227-NBC-7/8x12	0.83 x 12	36000	0.83	1.16	0.75	1.97	0.56	0.88	3.5	1.75	35.5	23.5	8.43
G-227-NBC-7/8x18	0.83 x 18	36000	0.83	1.16	0.75	1.97	0.56	0.88	3.5	1.75	47.5	29.5	12.52
G-227-NBC-7/8x6	0.83 x 6	26000	0.83	1.16	0.75	1.97	0.56	0.88	3.5	1.75	25	19	6.55
G-227-NBC1.25x12	1.25 x 12	76000	1.25	1.75	1.12	3.37	1.00	1.12	5.50	2.12	39.0	27.0	22.0



Jaw & Jaw

Catalog Number	Thread Dia. & Take Up	Ultimate Loads	A	B	C	D	E	Open	Close	Weight (lbs)
G-228-BC-3/4x18	3/4x18	26000	0.75	0.94	0.63	1.84	0.5	46.5	28.5	7.53
G-228-NBC-1x12	1.00 x 12	50000	1.00	1.19	0.88	2.41	0.69	37.50	25.50	11.65
G-228-NBC-1x18	1.00 x 18	50000	1.00	1.19	0.88	2.41	0.69	49.50	31.50	15.18
G-228-NBC-1x6	1.00 x 6	50000	1.00	1.19	0.88	2.41	0.5	27.19	21.19	9.11
G-228-NBC-3/4x12	0.75 x 12	26000	0.75	0.94	0.63	1.84	0.5	34.5	22.5	6.2
G-228-NBC-3/4x18	0.75 x 18	26000	0.75	0.94	0.63	1.84	0.5	46.5	28.5	7.53
G-228-NBC-3/4x6	0.75 x 6	26000	0.75	0.94	0.63	1.84	0.5	22.5	16.5	4.18
G-228-NBC-3/4x9	0.75 x 9	26000	0.75	0.94	0.63	1.84	0.56	28.5	19.5	5.45
G-228-NBC-7/8x12	0.83 x 12	36000	0.83	1.16	0.75	1.97	1.97	36.5	24.5	8.63
G-228-NBC-7/8x18	0.83 x 18	36000	0.83	1.16	0.75	1.97	1.97	48.5	30.5	12.81