

**End Fittings**

Tower End Fitting: Gain Base GB-12/ 5 deg / Galv. Ductile Iron

Line End Fitting: Trunnion / Galv. Ductile Iron

**Material**

Mounting Angle: 5 deg  
 Number of Sheds: 3  
 Rod Diameter: 1.50 in  
 Weight Estimate: 13.2 lbs 6.0 kg

**Dimensional Values**

Section Length (X): 12.4 in 315 mm  
 Shed Diameter (B): 4.1 in 105 mm  
 Shed Spacing (C): 2.0 in 51 mm  
 Trunnion Bolt (F): 5/8 in - 11 bolt & lockwasher  
 Minimum Diameter (Z): 0.79 in 21 mm  
 Dry Arc Distance: 7.2 in 183 mm  
 Leakage Distance: 11.3 in 288 mm

**Electricals Values**

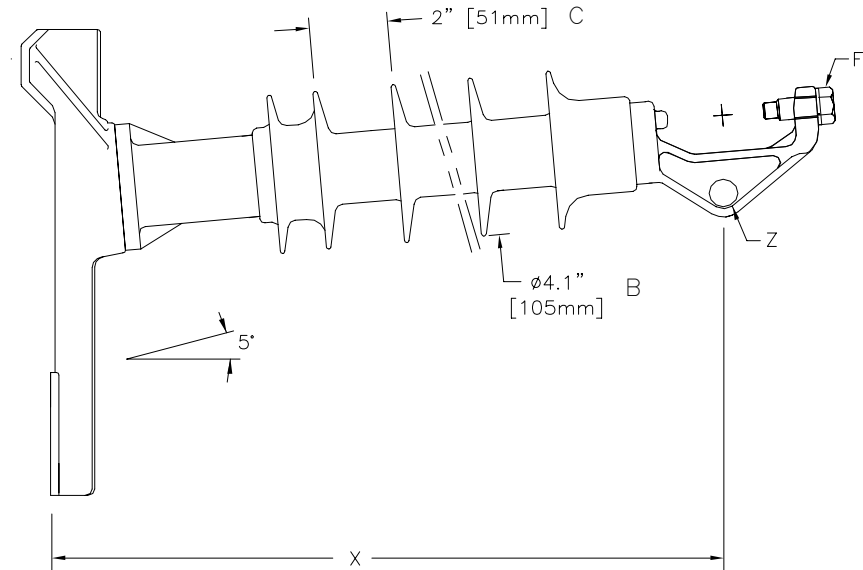
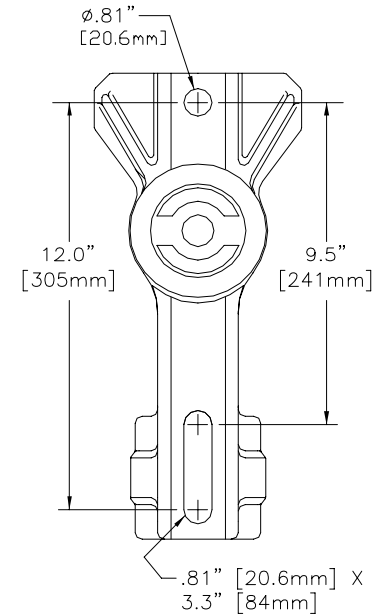
|                                  |        |                |        |
|----------------------------------|--------|----------------|--------|
| 60 Hz dry Flashover:             | 86 kV  | Min. Withstand | 81 kV  |
| 60 Hz Wet Flashover:             | 66 kV  | Min. Withstand | 50 kV  |
| Pos. Critical Impulse Flashover: | 146 kV | Min. Withstand | 126 kV |
| Neg. Critical Impulse Flashover: | 193 kV | Min. Withstand | 151 kV |

**Mechanical Values**

|                                |           |         |
|--------------------------------|-----------|---------|
| Specified Tensile Load (STL):  | 5,000 lbs | 22.2 kN |
| Max. Design Cant. Load (MDCL): | 1,235 lbs | 5.5 kN  |
| Specified Cant. Load (SCL):    | 2,470 lbs | 11.0 kN |

This drawing contains confidential information that is the property of MacLean Power, L.L.C. ("MacLean"). Use of MacLean's confidential information without MacLean's express written consent is strictly prohibited and may expose you to legal liability. If you believe that you received this material in error, please destroy it or return it to "MacLean Power, L.L.C., 7801 Park Place Rd., York, South Carolina 29745, USA."

Notes:



Dimension: inches [millimeters]

NOTE: Drawing not actual depiction of insulator appearance

Silicone Rubber Sheath & Sheds. Complies with applicable ANSI and IEC standards.