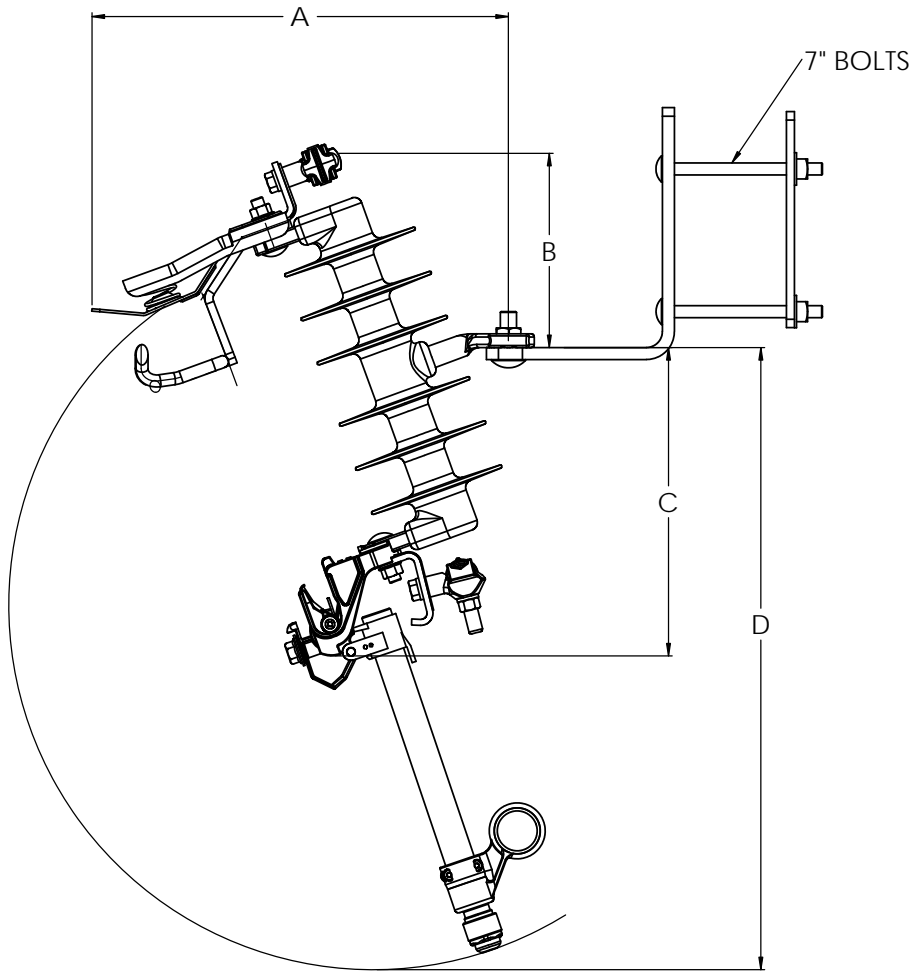



Complete Cutout with Fuse Tube/ Disconnect Blade	Rating					Approx. Fuse Tube Length. Inches (mm)	Leakage Distance to Ground Inches (mm)	Fuse Tube/ Disconnect Blade Only	Cutout Body Only Catalog #
	kV			Amps, RMS					
	Nominal	Max	BIL	Cont.	Interrupting/ Momentary (Asym.)				
SC15HG110-EM	14.4	15	110	100	10,000	11.3 (287)	15.3 (388)	89521R10	SC15HG-EM

Complete Cutout with Fuse Tube/ Disconnect Blade	Dimensions in Inches (mm)				Net Weight lbs.(kg)
	A	B	C	D	
SC15HG110-EM	12.5 (318)	6.3 (160)	9.8 (249)	20.3 (516)	8.5 (3.9)



NOTES:
 TO ORDER WITHOUT CUTOUT BRACKET SELECT SC15HG110-M

This drawing contains confidential information that is the property of MacLean Power, L.L.C. ("MacLean"). Use of MacLean's confidential information without MacLean's express written consent is strictly prohibited and may expose you to legal liability. If you believe that you received this material in error, please destroy it or return it to "MacLean Power, L.L.C., 7801 Park Place Rd., York, South Carolina 29745, USA."

 7801 PARK PLACE RD. YORK, SC. 29745 TEL. (803) 628-2100 FAX: (803) 628-2139	CATALOG NO: SC15HG110-EM	<small>DO NOT SCALE DRAWING CAD GENERATED DRAWING DO NOT MANUALLY UPDATE</small> DRAWN BY: JAA DATE: 07/09/20
	DRAWING SCALE: NTS	