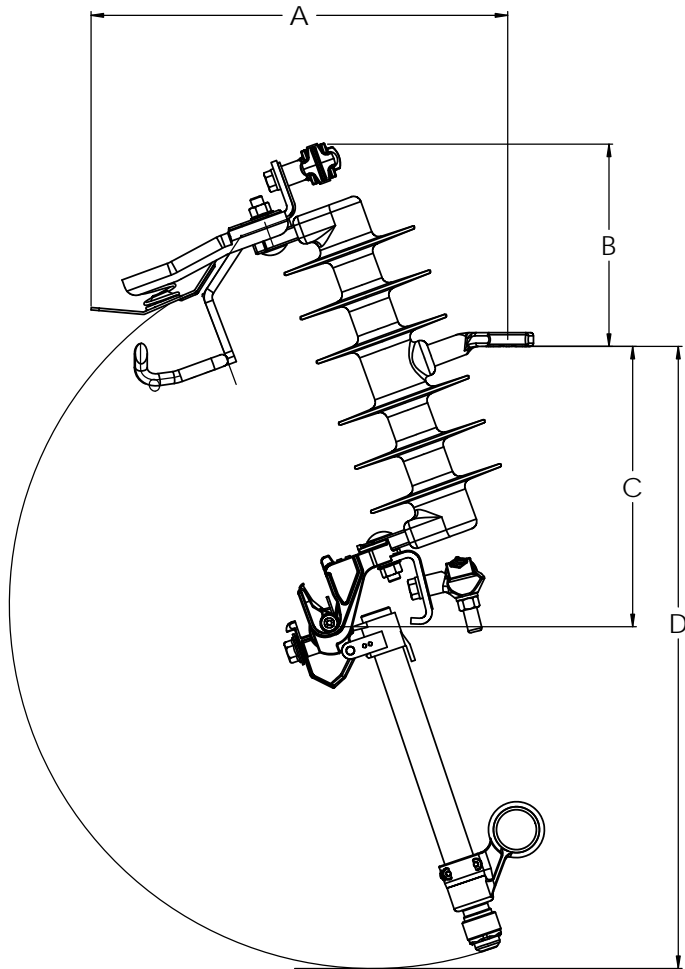


Complete Cutout with Fuse Tube/ Disconnect Blade	Rating					Approx. Fuse Tube Length. Inches (mm)	Leakage Distance to Ground Inches (mm)	Fuse Tube/ Disconnect Blade Only	Cutout Body Only Catalog #
	kV			Amps, RMS					
	Nominal	Max	BIL	Cont.	Interrupting/ Momentary (Asym.)				
SC15HG110-M	14.4	15	110	100	10,000	11.3 (287)	15.3 (388)	89521R10	SC15HG-M

Complete Cutout with Fuse Tube/ Disconnect Blade	Dimensions in Inches (mm)				Net Weight lbs.(kg)
	A	B	C	D	
SC15HG110-M	12.5 (318)	6.3 (160)	9.8 (249)	20.3 (516)	7.5 (3.4)



This drawing contains confidential information that is the property of MacLean Power, L.L.C. ("MacLean"). Use of MacLean's confidential information without MacLean's express written consent is strictly prohibited and may expose you to legal liability. If you believe that you received this material in error, please destroy it or return it to "MacLean Power, L.L.C., 7801 Park Place Rd., York, South Carolina 27945, USA."

MacLean™
POWER SYSTEMS

7801 PARK PLACE RD. YORK, SC. 29745
TEL. (803) 628-2100 FAX: (803) 628-2139

CATALOG NO:
SC15HG110-M

DRAWING SCALE: NTS

DO NOT SCALE DRAWING
CAD GENERATED DRAWING
DO NOT MANUALLY UPDATE

DRAWN BY: JAA
DATE: 09/01/20