

PAPER SIZE		DRAWING NUMBER	
C		W55	
REV	REVISED BY:	REVISION DATE	ECO #
X	XXX	XX/XX/XX	XXX
X	XXX	XX/XX/XX	XXX

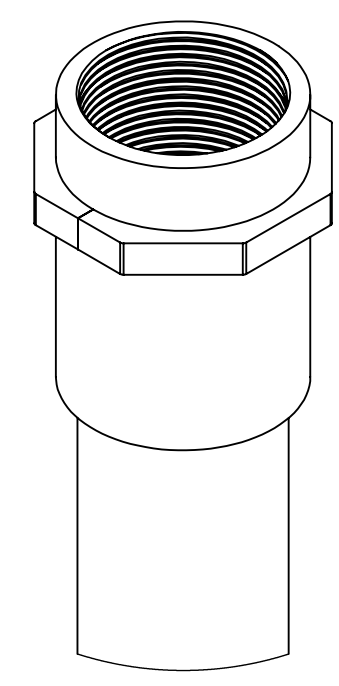
5.5" (0.361" wall) PRESSURE GROUTED DISPLACEMENT PILE
(torque rating 55,000 ft-lbs)

Notes:

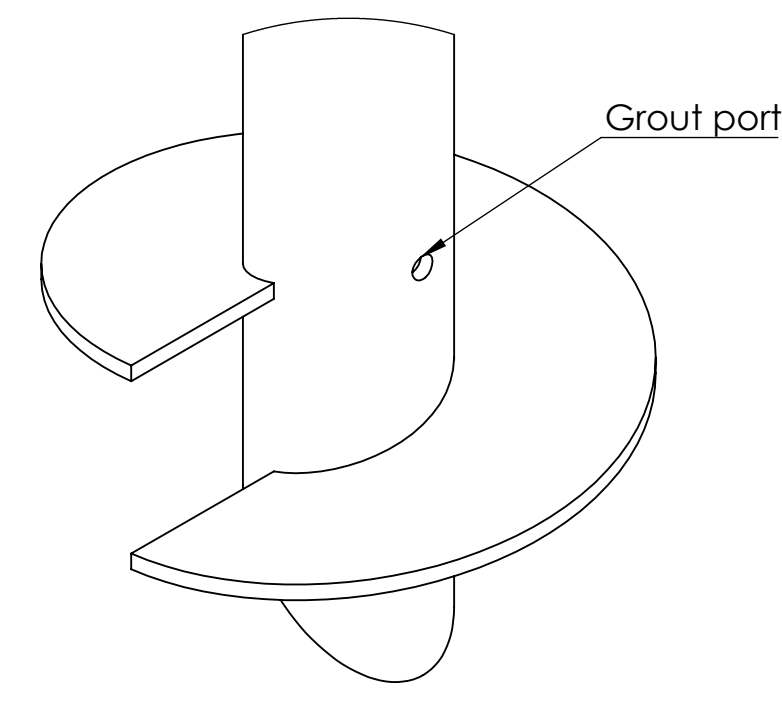
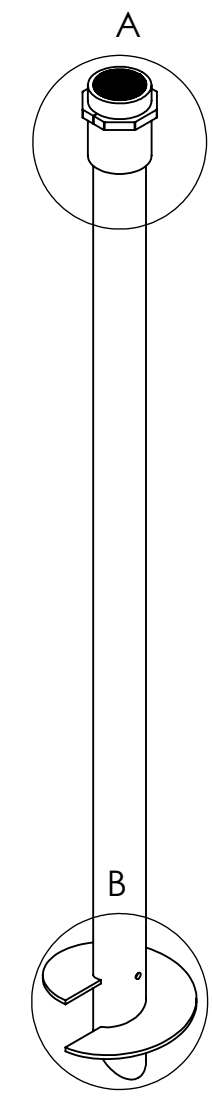
- API threaded couplers.
- Estimated grout column diameter of 10" to 18" equal to driver plate (H1) diameter
- Grout port at nose of pile, pressure grouted through ID of pile during installation
- Grout shall have a minimum compression strength of 4,000 psi
- Grout shall be pumped below the maximum pressure of 350 psi during installation
- Shaft Material - OCTG pipe - 80 ksi min yield
- Driver Plate Material - Hot rolled low carbon steel per ASTM A572 Grade 50 minimum
- All welds performed by welders certified by AWS code D1.1
- All driver plates formed with nominal 6" pitch
- Products Hot Dipped Galvanized per ASTM A123 following fabrication. Non-galvanized products are designated with a "U" catalog number suffix.
- Custom lead and extension lengths up to 40' and driver plate configurations available upon request

Catalog Number	Length1 (ft)	H1 (in)	Grout Take yd3/LF	Ult Tension (kips)	Ult Compression (kips)
W55L15T18	15	18	0.07	256	506
W55L15T16		16	0.05		446
W55L15T14		14	0.04		394
W55L15T12		12	0.03		348
W55L15T10		10	0.02		309

Catalog Number	Length2 (ft)
T55E20	20
T55E15	15
T55E10	10



DETAIL A
SCALE 1 : 5

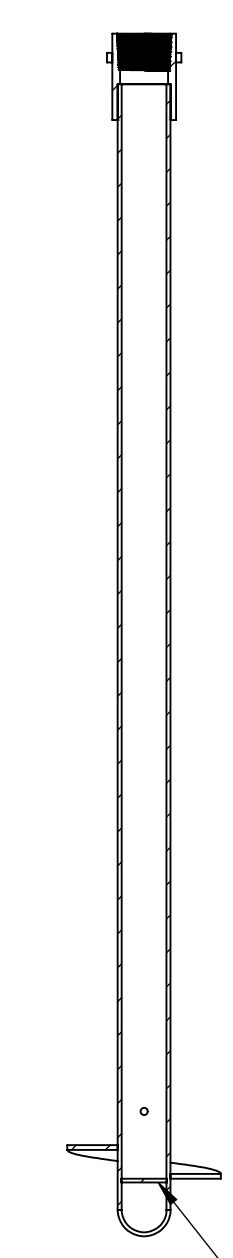


DETAIL B
SCALE 1 : 5

Grout port

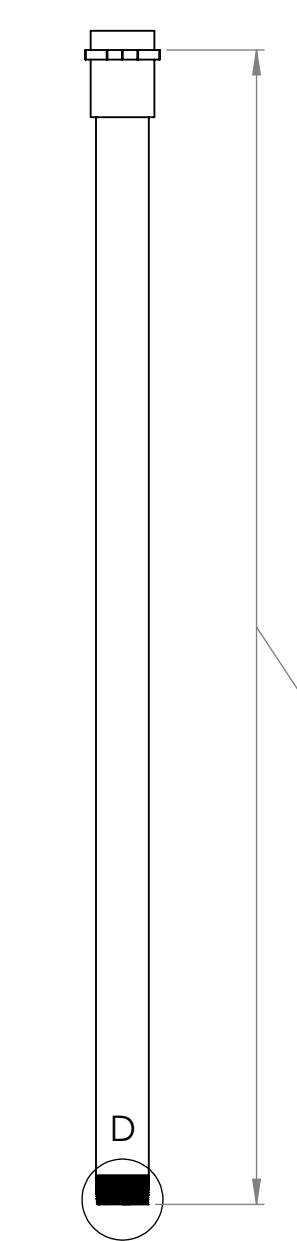


Length1

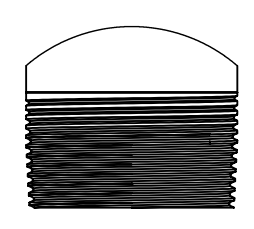


Steel plate grout plug welded to ID of pipe

SECTION C-C



Length2



DETAIL D
SCALE 1 : 5

USE OR REPRODUCTION OF THIS DRAWING FOR THE PURPOSE OF MANUFACTURING THIS ARTICLE OR ARTICLES SHOWN OR ANY OTHER PURPOSE IS STRICTLY PROHIBITED EXCEPT ON WRITTEN PERMISSION **MACLEAN POWER SYSTEMS**

**MACLEAN
POWER
SYSTEMS**
 1465 INDUSTRIAL PARK DR
 TRENTON, TN 38382
 TEL. (731) 470-3400 FAX: (731) 470-3402

DRAWING NUMBER:	W55	DO NOT SCALE DRAWING
SHEET NAME:	Sheet1	CAD GENERATED DRAWING DO NOT MANUALLY UPDATE
DRAWING DESCRIPTION:	5.5' threaded coupler grouted pile	DESIGN DATE: 12/27/21
DRAWING SCALE:	1:20	DRAWN BY: DR
		ENGINEER DR
		APPROVED XXX
		REF DWG: X