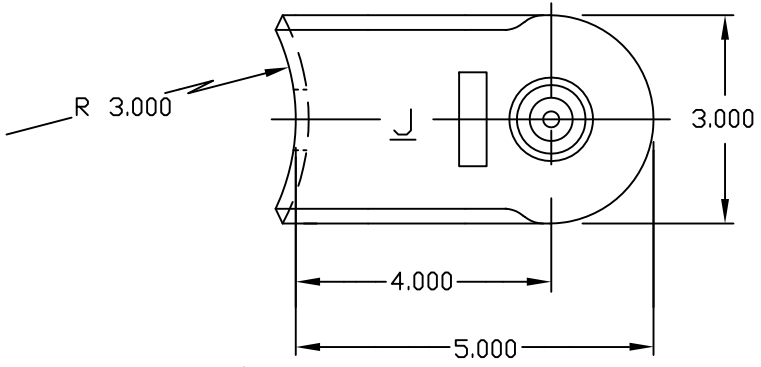


A | B | C | D | E | F

PAPER SIZE		DRAWING NUMBER	
B SIZE		GD-J1399	
REV	REVISION DATE	ECO	
A	06-11-19	09557	

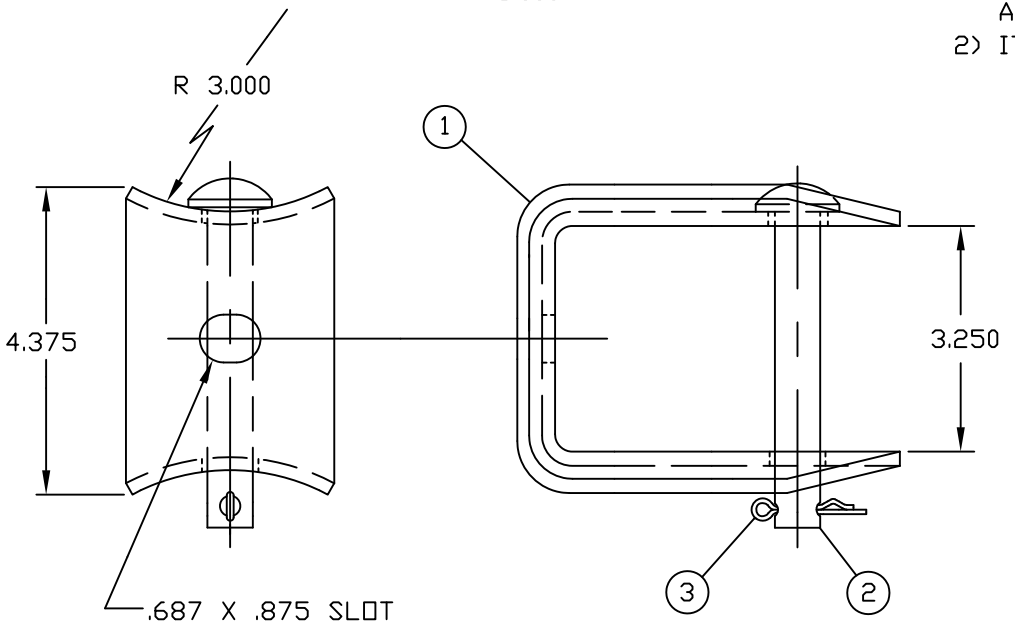
1



ITEM	QTY	DESCRIPTION
1	1	.187 X 3.000 CLEVIS BODY STEEL
2	1	.625 X 4.500 BUTTON HEAD BOLT STEEL
3	1	SELF-LOCKING STAINLESS COTTER PIN

NOTES:
 1) ALL DIMENSIONS ARE REFERENCE AND ARE IN INCHES EXCEPT AS NOTED.
 2) ITEMS ① AND ② ONLY HOT DIP GALVANIZED PER ASTM A-153

2



3

4

This drawing contains confidential information that is the property of MacLean Power, L.L.C. ("MacLean"). Use of MacLean's confidential information without MacLean's express written consent is strictly prohibited and may expose you to legal liability. If you believe that you received this material in error, please destroy it or return it to "MacLean Power, L.L.C., 11411 Addison, Franklin Park, Illinois 60131, USA."

TOLERANCES UNLESS SPECIFIED	
inch	
0.XX	— — —
0.XXX	— — —
ANGLE	— — —



DRAWN BY	ENGINEER	CHECKER	CATALOG #	SCALE	DESIGN DATE
MTT	RPM	MTT	J1399	NTS	1-22-93
DRAWING TITLE / DESCRIPTION					DRAWING NUMBER
CLEVIS					GD-J1399