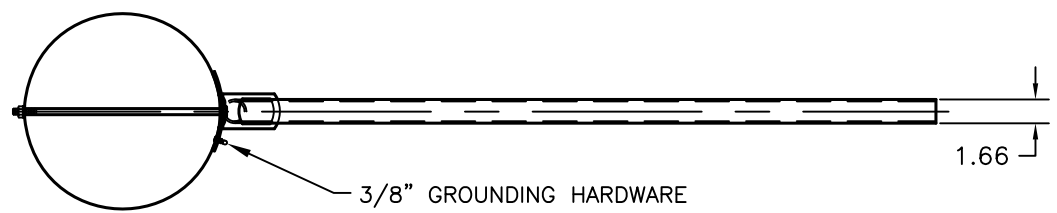


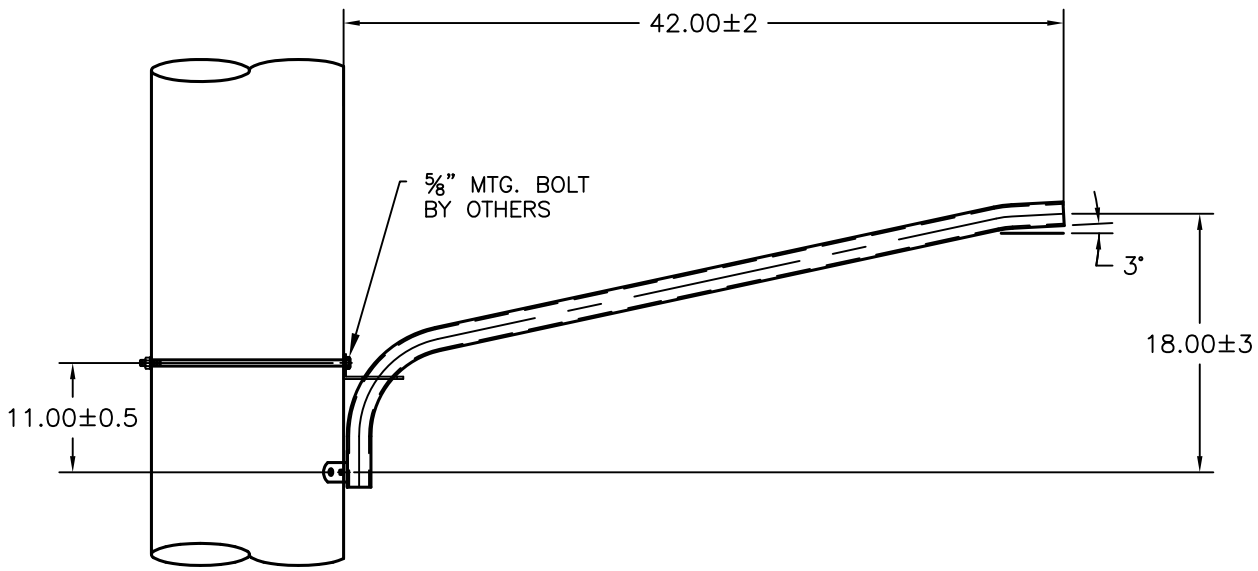
A | B | C | D | E | F

PAPER SIZE	DRAWING NUMBER	
B SIZE	GD-S-125-4G	
REV	REVISION DATE	ECO
A	7-9-19	D9540



NOTES:
 1.0 MATERIAL
 1.1 1.66" OD X 12 GA. TUBE, A-36 STEEL
 2.0 FINISH
 2.1 HOT DIP GALVANIZE PER ASTM A-123
 3.0 HARDWARE
 3.1 3/8" X 1-1/4" CARRIAGE BOLT, LOCK WASHER, 13/32" LOCK WASHER AND HEX NUT

QTY.	DESCRIPTION
1	3/8" HEX NUT
1	3/8" LOCK WASHER
1	3/8" X 1-1/4" CARRIAGE BOLT
1	GALV. WELD
1	CLIP WASHER



This drawing contains confidential information that is the property of MacLean Power, L.L.C. ("MacLean"). Use of MacLean's confidential information without MacLean's express written consent is strictly prohibited and may expose you to legal liability. If you believe that you received this material in error, please destroy it or return it to "MacLean Power, L.L.C., 11411 Addison, Franklin Park, Illinois 60131, USA."

TOLERANCES UNLESS SPECIFIED	
	inch
0.XX	± 0.5
0.XXX	-----
ANGLE	± 1°



DRAWN BY	ENGINEER	CHECKER	CATALOG #	SCALE	DESIGN DATE
JSS	JSS	N/A	S-125-4G	NTS	11-13-00
DRAWING TITLE / DESCRIPTION					DRAWING NUMBER
4' LUMINAIRE MOUNTING BRACKET					GD-S-125-4G

Form: 00_Bldg / 03-22-05