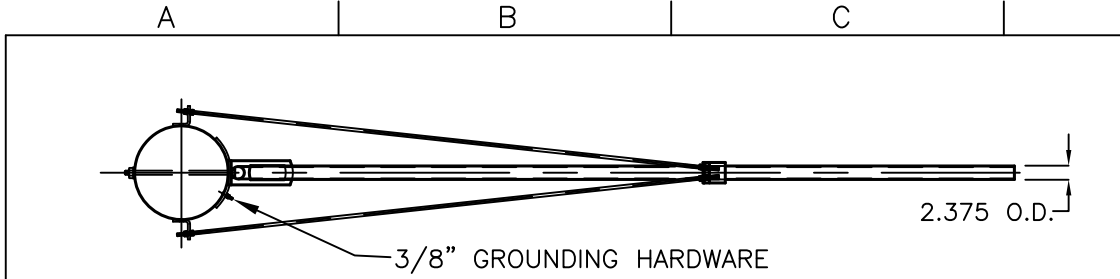
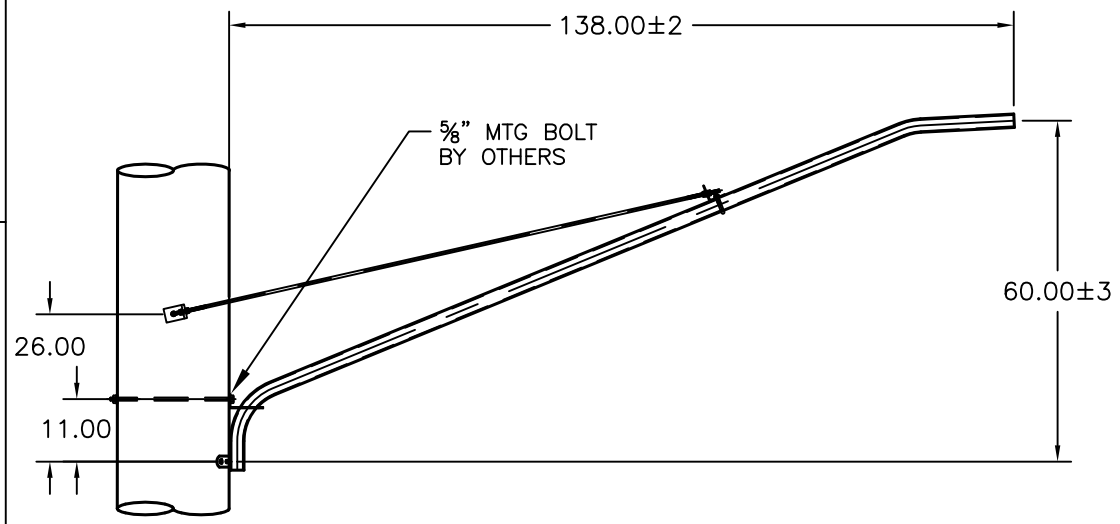


PAPER SIZE	DRAWING NUMBER	
B SIZE	GD-S212DG	
REV	REVISION DATE	ECO
A	7-9-19	D9540



SPECIFICATIONS

- 1.0 MATERIAL:
 - 1.1 STEEL A-36
- 2.0 FINISH:
 - 2.1 HOT DIP GALVANIZED PER ASTM A-123 SPEC'S
- 3.0 CRITICAL DIMENSIONS ARE NOTED BY AN ELLIPSE DESIGNATION. REFER TO CP-0763-RI FOR ALL CRITICAL INSPECTION REQUIREMENTS.



QTY.	DESCRIPTION
1	3/8" HEX NUT
10	1/2" HEX NUT
10	1/2" FLAT WASHER
1	3/8" LOCK WASHER
1	13/32" CLIP WASHER
1	3/8" X 1-1/4" CARRIAGE BOLT
1	1/2" U-BOLT, STEEL
1	GUYROD BRKT, STL
2	GUY BRKT, STL
2	1/2" X 96" LG. TIE ROD
1	GALV WELD

TOLERANCES UNLESS SPECIFIED	
	inch
0.XX	± 0.5
0.XXX	-----
ANGLE	± 1°



DRAWN BY	ENGINEER	CHECKER	CATALOG #	SCALE	DESIGN DATE
MH	MH	N/A	S212DG	NTS	3-20-00
DRAWING TITLE / DESCRIPTION					DRAWING NUMBER
LUMINAIRE MOUNTING BRACKET					GD-S212DG

This drawing contains confidential information that is the property of MacLean Power, L.L.C. ("MacLean"). Use of MacLean's confidential information without MacLean's express written consent is strictly prohibited and may expose you to legal liability. If you believe that you received this material in error, please destroy it or return it to "MacLean Power, L.L.C., 11411 Addison, Franklin Park, Illinois 60131, USA."