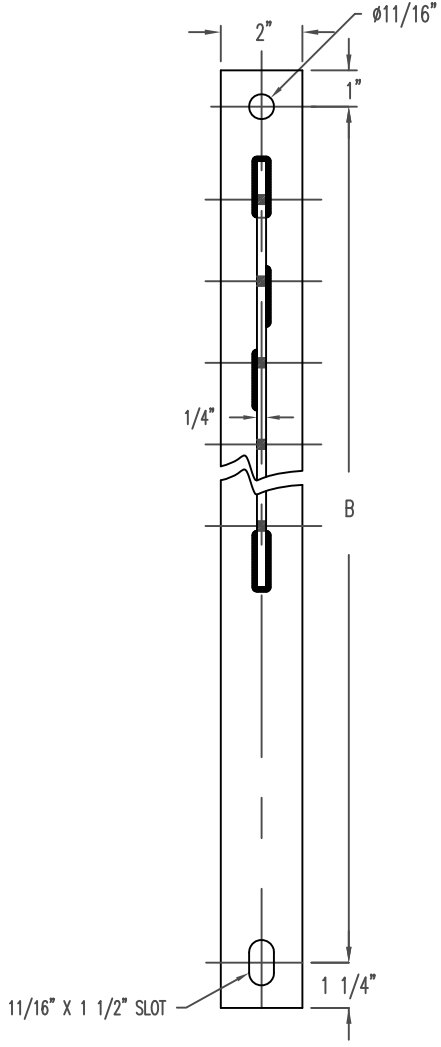
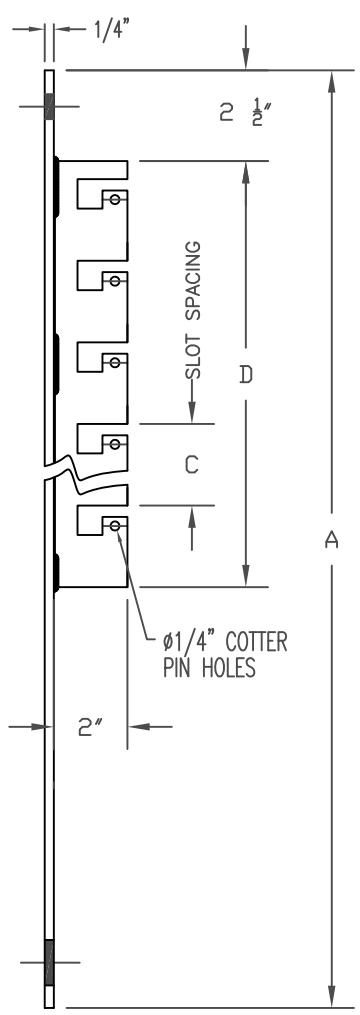


A

B

PAPER SIZE	DRAWING NUMBER	
A SIZE	GD-U600-XXXXWD	
REV	REVISION DATE	ECO
A	06-25-19	D9557



NOTES:

1. MATERIAL: STEEL A-36.
2. FINISH: HOT DIP GALVANIZE PER ASTM A-153.
3. USE WITH U6700 SERIES CABLE RACK HOOKS.

CATALOG NO.	SLOTS	A	B	C	D	WEIGHT (LBS)
U600-3650WD	10	36 1/2"	34 1/4"	2 1/4"	23"	9.0
U600-2600WD	09	26"	23 3/4"	1 1/2"	14 3/4"	8.0
U600-5300WD	18	53"	50 3/4"	2 1/4"	41"	13.1
U600-4650WD	18	46 1/2"	44 1/4"	2 1/4"	41"	12.0
U600-60WD	24	60"	57 3/4"	2 1/4"	54 1/2"	14.0

USE OR REPRODUCTION OF THIS DRAWING FOR THE PURPOSE OF MANUFACTURING THIS ARTICLE OR ARTICLES SHOWN OR ANY OTHER PURPOSE IS STRICTLY PROHIBITED EXCEPT ON WRITTEN PERMISSION.
MACLEAN POWER SYSTEMS

TOLERANCES UNLESS SPECIFIED	
INCH	
0.XX	1 / 16"
0.XXX	1 / 32"
ANGLE	1 DEGREE



MACLEAN POWER SYSTEMS
 RELIABLE POWER PRODUCTS
 11411 ADDISON STREET
 FRANKLIN PARK, IL. 60131

DRAWN BY	ENGINEER	CHECKER	CATALOG #	SCALE	DESIGN DATE
MT	MT	MT	CHECK TABLE	NONE	6/12/98
DRAWING TITLE / DESCRIPTION					DRAWING NUMBER
UNDERGROUND CABLE STATION - STRAIGHT BACK					GD-U600-XXXXWD