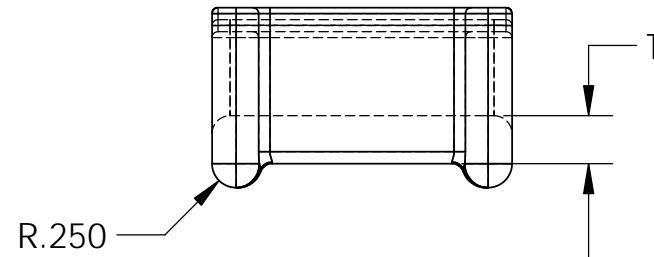
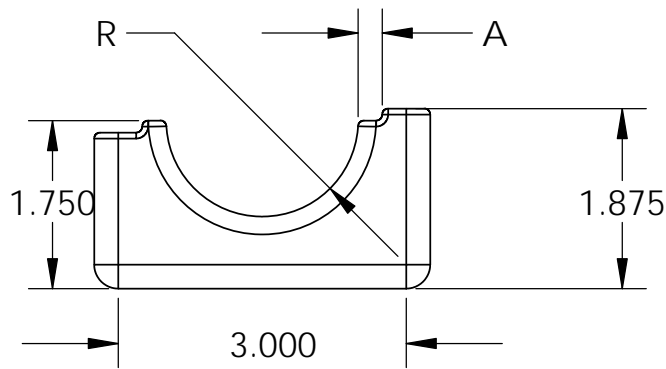
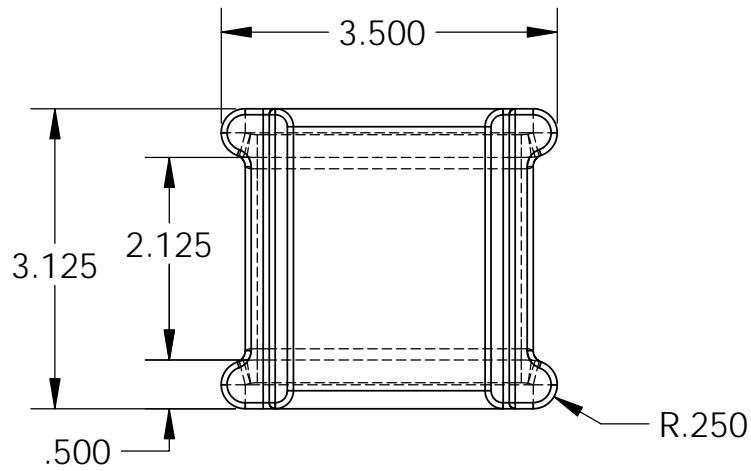


PAPER SIZE		DRAWING NUMBER	
A		GD-U604XXX	
ISS	REVISED BY:	REVISION DATE	ECO #
A	MTT	06/25/19	D9557

NOTES:
 1. MATERIAL: PORCELAIN
 2. USE WITH U6700 SERIES CABLE RACK HOOKS



CATALOG NO.	P/N	COLOR	R	A	T
U604W	F468954	WHITE	7/8	3/8	5/8
U604AWD	F468949	BROWN	1	1/4	1/2

UNLESS OTHERWISE SPECIFIED DIMENSIONS ARE IN: INCHES	
TOLERANCES ARE :	
.XX	+/- .060
.XXX	+/- .030
X/XX	+/- .X/XX
ANGLES	+/- 1



TEL. (847) 455-0014

**MACLEAN
POWER
SYSTEMS**

RELIABLE POWER PRODUCTS
 11411 ADDISON STREET
 FRANKLIN PARK, IL. 60131
 FAX: (847) 455-0029

DRAWING NUMBER		DO NOT SCALE DRAWING	
GD-U604XXX		CAD GENERATED DRAWING DO NOT MANUALLY UPDATE	
SHEET NAME:		DESIGN DATE: 01-23-62	
Sheet1		1 OF 1	
DRAWING DESCRIPTION		DRAWN BY: MTT	
INSULATOR		ENGINEER	
DWG SCALE: NTS		APPROVED	

USE OR REPRODUCTION OF THIS DRAWING FOR THE PURPOSE OF MANUFACTURING THIS ARTICLE OR ARTICLES SHOWN OR ANY OTHER PURPOSE IS STRICTLY PROHIBITED EXCEPT ON WRITTEN PERMISSION **MACLEAN POWER SYSTEMS**