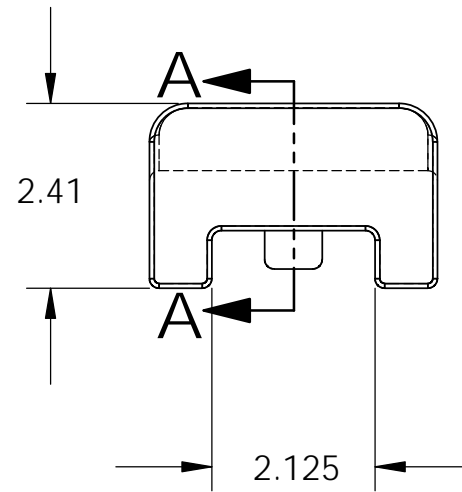
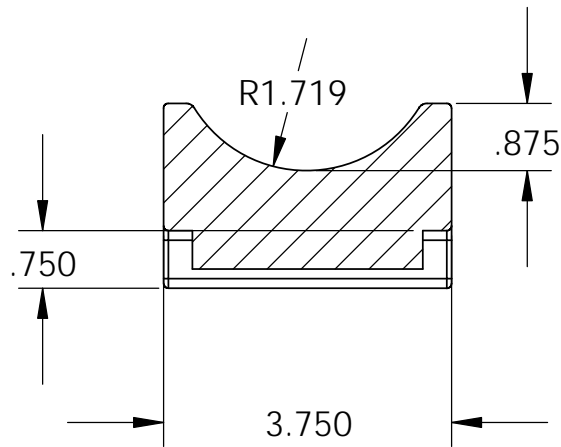


PAPER SIZE		DRAWING NUMBER	
A		GD-U604	
ISS	REVISED BY:	REVISION DATE	ECO #
A	MTT	06-11-19	D9557



NOTES:

1. MATERIAL: PORCELAIN
2. USE WITH U6700 SERIES CABLE RACK HOOKS

UNLESS OTHERWISE SPECIFIED DIMENSIONS ARE IN: INCHES	
TOLERANCES ARE :	
.XX	+/- .060
.XXX	+/- .030
X/XX	+/- .X/XX
ANGLES	+/- 1



**MACLEAN
POWER
SYSTEMS**

RELIABLE POWER PRODUCTS
11411 ADDISON STREET
FRANKLIN PARK, IL. 60131

TEL. (847) 455-0014

FAX: (847) 455-0029

DRAWING NUMBER GD-U604		DO NOT SCALE DRAWING	
SHEET NAME: Sheet1		1 OF 1	
DRAWING DESCRIPTION U604, CABLE RACK INSULATOR		DESIGN DATE: 02-12-39	
DWG SCALE: NTS		DRAWN BY:	MTT
		ENGINEER	
		APPROVED	

USE OR REPRODUCTION OF THIS DRAWING FOR THE PURPOSE OF MANUFACTURING THIS ARTICLE OR ARTICLES SHOWN OR ANY OTHER PURPOSE IS STRICTLY PROHIBITED EXCEPT ON WRITTEN PERMISSION **MACLEAN POWER SYSTEMS**