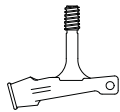
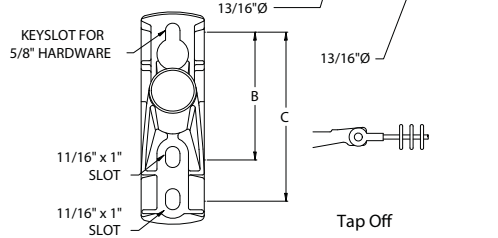
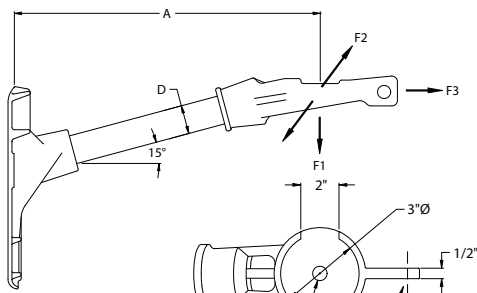
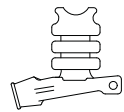




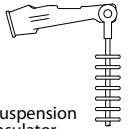
# Equipment Brackets



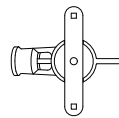
1" or 1-3/8" Pin



Post Type Insulator



Suspension Insulator



Adapter Strap

## Single Phase Universal

### Features

- Accepts 5/8" mounting hardware
- Cleats to prevent bracket rotation on wood poles

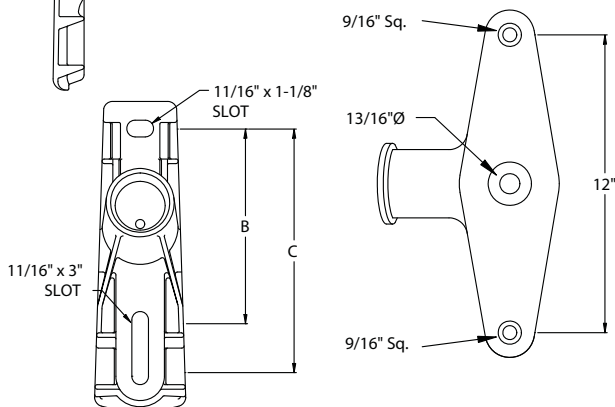
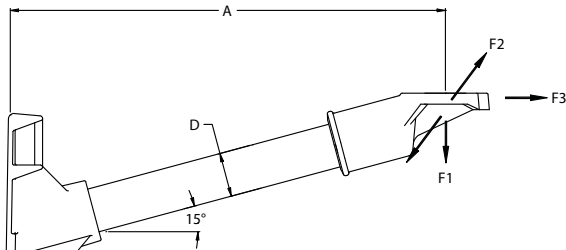
### Material

Base: Ductile iron hot dip galvanized ASTM A-153  
 End Fitting: Aluminum A356-T6  
 Rod: Fiberglass gray ultraviolet (UV) protective coating

Catalog Number	Dimensions (In)		Min Ultimate Load (Lbs)			Bolt Spacing (In)		Weight (Lbs)
	A	D	F1 Vert	F2 Long	F3 Trans	B	C	
G1MAA312AU	12	1.5	1800	1400	10000	6	8	6.9
G1MAA318AU	18	1.5	1200	900	10000	6	8	7.6
G1MAA324AU	24	1.5	900	700	10000	6	8	8.4
G1HAA312AU	12	2.0	3000	1800	10000	8		12.2
G1HAA318AU	18	2.0	2250	1500	10000	8		13.6
G1HAA324AU	24	2.0	1750	1100	10000	8		15.0

### Notes:

- 1) Lengths shown are considered standard; for other lengths, consult factory
- 2) Add "SC" for silicone coated rod (harsh environments)
- 3) Add "B" for standard hardware (1/2" x 2" carriage bolt; 1/2" hex nut; 1/2" lock washer)
- 4) For other options, thread sizes, and optional base and end fittings, reference Fiberglass Catalog Numbering System Matrix



## Single Phase SCADA

### Features

- Accepts 5/8" mounting hardware
- Tab retainers for banding provisions
- Recessed cavity in base to allow double nutting for back to back mounting

### Material

Base: Aluminum A356-T6  
 End Fitting: Aluminum A356-T6  
 Rod: Fiberglass gray ultraviolet (UV) protective coating

Catalog Number	Dimensions (In)		Min Ultimate Load (Lbs)			Bolt Spacing (In)		Weight (Lbs)
	A	D	F1 Vert	F2 Long	F3 Trans	B	C	
G1HAA526AKC1	26	2.0	2500	1650	10000	8	10	12.3

### Notes:

- 1) Lengths shown are considered standard; for other lengths, consult factory
- 2) Add "SC" for silicone coated rod (harsh environments)
- 3) For other options, thread sizes, and optional base and end fittings, reference Fiberglass Catalog Numbering System Matrix



# Equipment Brackets

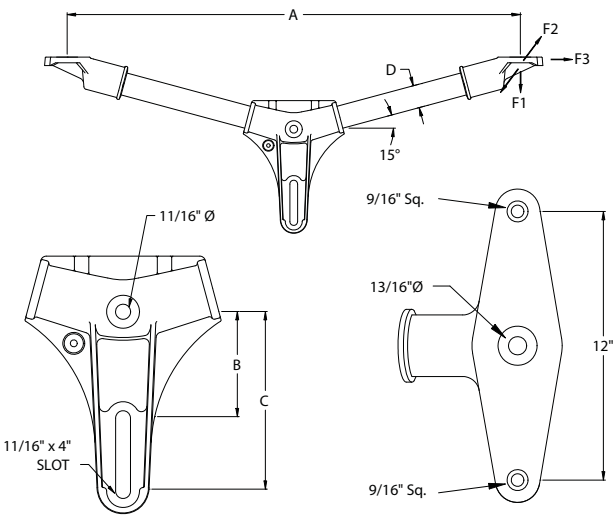
## Two Phase SCADA

### Features

- Accepts 5/8" mounting hardware
- Recessed cavity in base to allow double nutting for back to back mounting

### Material

Base: Aluminum A356-T6  
 End Fitting: Aluminum A356-T6  
 Rod: Fiberglass gray ultraviolet (UV) protective coating



Catalog Number	Dimensions (In)		Min Ultimate Load (Lbs)			Bolt Spacing (In)		Weight (Lbs)
	A	D	F1 Vert	F2 Long	F3 Trans	B	C	
G2HAA160AKC1	60	2.0	2400	1600	10000	6	8	23.4

### Notes:

- 1) Lengths shown are considered standard; for other lengths, consult factory
- 2) Add "SC" for silicone coated rod (harsh environments)
- 3) For other options, thread sizes, and optional base and end fittings, reference Fiberglass Catalog Numbering System Matrix



# Insulator Brackets

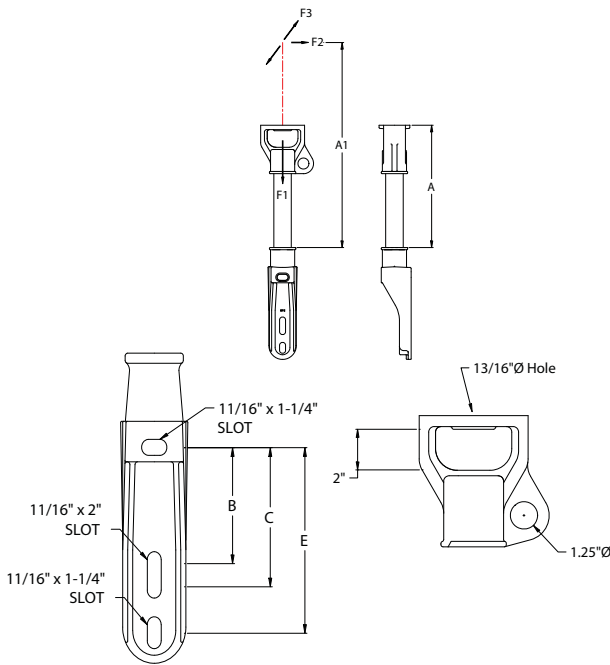
## Single Phase Vertical Line Post

### Features

- Accepts 5/8" mounting hardware
- Recessed cavity in base to allow double nutting for back to back mounting

### Material

Base: Ductile iron hot dip galvanized ASTM A-153  
 End Fitting: Aluminum A356-T6  
 Rod: Fiberglass gray ultraviolet (UV) protective coating



Catalog Number	Dimensions (In)			Min Ultimate Load (Lbs)			Bolt Spacing (In)			Weight (Lbs)
	A	A1	D	F1 Vert	F2 Long	F3 Trans	B	C	E	
G1HAR110AH	10	19.38	2.0	5000	2000	2000	5	6	8	8.3
G1HAR114AH	14	23.38	2.0	5000	2000	2000	5	6	8	9.2
G1HAR118AH	18	27.38	2.0	5000	1500	1500	5	6	8	10.0
G1HAR124AH	24	33.38	2.0	5000	1500	1500	5	6	8	11.4

### Notes:

- 1) Lengths shown are considered standard; for other lengths, consult factory
- 2) Add "SC" for silicone coated rod (harsh environments)
- 3) For other options, thread sizes, and optional base and end fittings, reference Fiberglass Catalog Numbering System Matrix

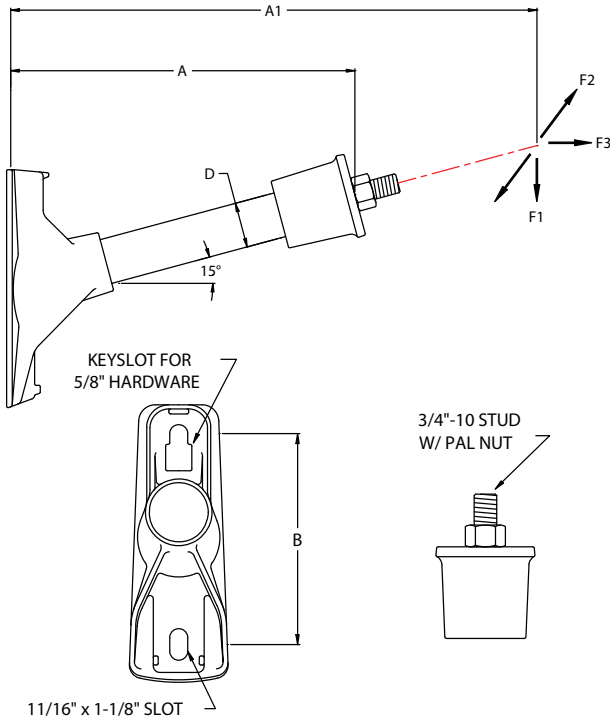
## Two Phase Horizontal Line Post

### Features

- Accepts 5/8" mounting hardware
- Cleats to prevent bracket rotation on wood poles
- Recessed cavity in base to allow double nutting for back to back mounting

### Material

Base: Ductile iron hot dip galvanized ASTM A153  
 End Fitting: Aluminum A356-T6  
 Rod: Fiberglass MPS gray ultraviolet (UV) protective coating



Catalog Number	Dimensions (In)			Min Ultimate Load (Lbs)			Bolt Spacing (In)		Weight (Lbs)
	A	A1	D	F1 Vert	F2 Long	F3 Trans	B	C	
G2HDA234AP	34	52.25	2.0	1800	1600	2500	5	8	18.1
G2HDA253AP	53	71.25	2.0	1300	1100	2500	5	8	22.6

### Notes:

- 1) Lengths shown are considered standard; for other lengths, consult factory
- 2) Add "SC" for silicone coated rod (harsh environments)
- 3) For other options, thread sizes, and optional base and end fittings, reference Fiberglass Catalog Numbering System Matrix