



# Straight Line, Side Opening Deadend Clamps

## Aluminum Straight Line, Side Opening Deadend Clamps

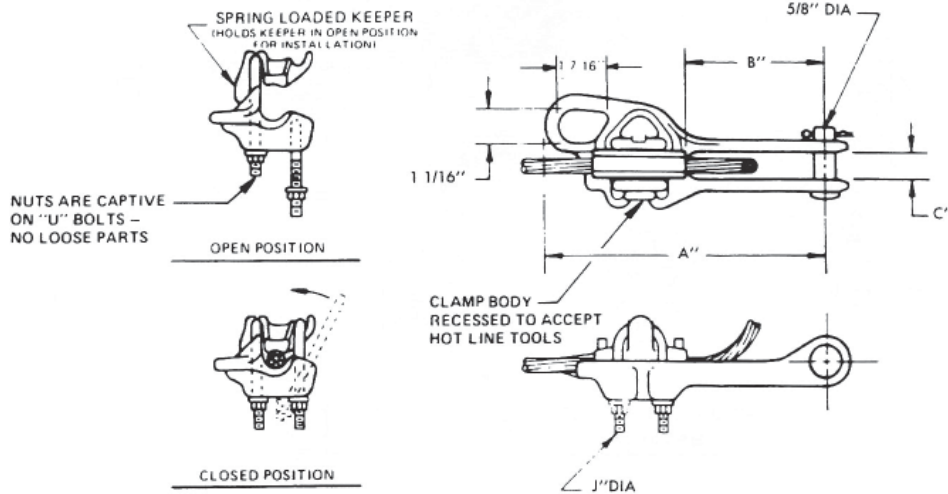
Connects primary conductor to deadend insulator, two U-bolt style

### Features

- U-Bolts are captive
- Spring loaded side opening - shipped in open position

### Material

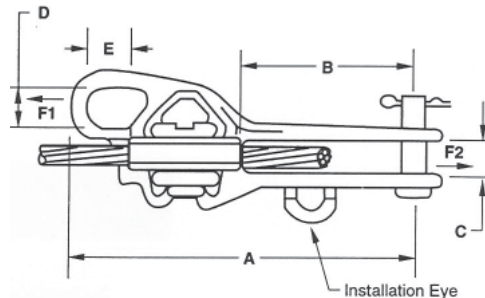
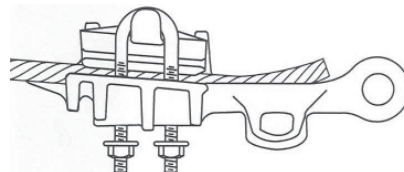
Body and Keeper: Aluminum Alloy A356-T6  
 Cotter Pin and Compression Spring: Stainless steel  
 Hardware: Steel hot dip galvanized ASTM A-153



| Catalog Number | Conductor Range |             |              | U-Bolts |      | Dimensions |      |      | Ultimate Strength |         | Weight /100 (lbs) |
|----------------|-----------------|-------------|--------------|---------|------|------------|------|------|-------------------|---------|-------------------|
|                | Inches          | ACSR        | Aluminum     | No      | Size | A          | B    | C    | Body              | Sag Eye |                   |
| HDSO-47        | 0.190 - 0.470   | #6 - 2/0    | #4 - 3/0     | 2       | 3/8  | 8.53       | 4.25 | 0.75 | 7000              | 4000    | 157               |
| HDSO-57        | 0.250 - 0.570   | #4 - 4/0    | #2 - 4/0     | 2       | 3/8  | 8.88       | 4.06 | 0.75 | 8000              | 5000    | 178               |
| HDSO-70        | 0.310 - 0.700   | #2 - 336.4  | #1 - 350     | 2       | 3/8  | 9.50       | 4.75 | 0.81 | 9000              | 6000    | 196               |
| HDSO-82        | 0.250 - 0.820   | #4 - 477    | #2 - 477     | 2       | 1/2  | 10.13      | 4.88 | 0.88 | 9000              | 6000    | 308               |
| HDSO-88        | 0.250 - 0.880   | #4 - 556.5  | #2 - 556.5   | 2       | 1/2  | 10.25      | 4.78 | 1.06 | 10000             | 6000    | 300               |
| HDSO-88L-6     | 0.250 - 0.880   | #4 - 556.5  | #2 - 556.5   | 2       | 1/2  | 11.38      | 6.00 | 0.88 | 10000             | 6000    | 338               |
| HDSO-88L-7     | 0.250 - 0.880   | #4 - 556.5  | #2 - 556.5   | 2       | 1/2  | 12.38      | 7.00 | 0.94 | 10000             | 6000    | 341               |
| HDSO-116       | 0.680 - 1.160   | 336.4 - 954 | 397.5 - 1000 | 2       | 1/2  | 12.00      | 7.25 | 1.00 | 12000             | 8000    | 383               |
| HDSO-116-2     | 0.680 - 1.160   | 336.4 - 954 | 397.5 - 1000 | 4       | 1/2  | 19.88      | 8.00 | 1.25 | 27000             | 16000   | 884               |
| HDSO-130       | 0.680 - 1.300   | 300 - 1113  | 336.4 - 1272 | 2       | 1/2  | 14.00      | 8.00 | 1.00 | 15000             | 12000   | 420               |

### Notes:

- 1) Add suffix "-S" for socket fitting
- 2) Add suffix "-C" for clevis fitting
- 3) Add suffix "-HP" for hex clevis pin
- 4) Add suffix "-E" for lifting eye on keeper
- 5) Recommended torque on U-Bolts: 3/8" - 20-25 ft/lbs; 1/2" - 40-45 ft/lbs.



| Catalog Number | Conductor Range |             |              | U-Bolts |      | Dimensions |      |      | Ultimate Strength |         | Weight /100 (lbs) |
|----------------|-----------------|-------------|--------------|---------|------|------------|------|------|-------------------|---------|-------------------|
|                | Inches          | ACSR        | Aluminum     | No      | Size | A          | B    | C    | Body              | Sag Eye |                   |
| HCD60-SO       | 0.250 - 0.600   | #4 - 266.8  | #3 - 266.8   | 2       | 1/2  | 9.38       | 4.50 | 0.75 | 8000              | 6000    | 250               |
| HCD80-SO       | 0.250 - 0.880   | #4 - 556.5  | #3 - 556.5   | 2       | 1/2  | 10.38      | 5.13 | 1.00 | 10000             | 6000    | 300               |
| HCD116-SO      | 0.680 - 1.160   | 336.4 - 954 | 397.5 - 1000 | 2       | 1/2  | 12.75      | 6.38 | 1.00 | 12000             | 8000    | 420               |

### Notes:

- 1) Add suffix "-HP" for helix clevis pin
- 2) Recommended Torque on U-Bolts: 40-45 ft/lbs.