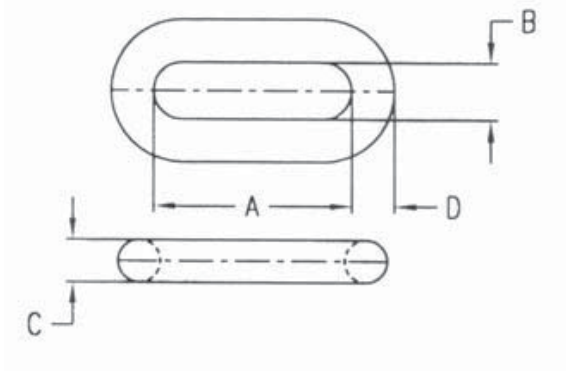




Chain Type Insulator Fittings

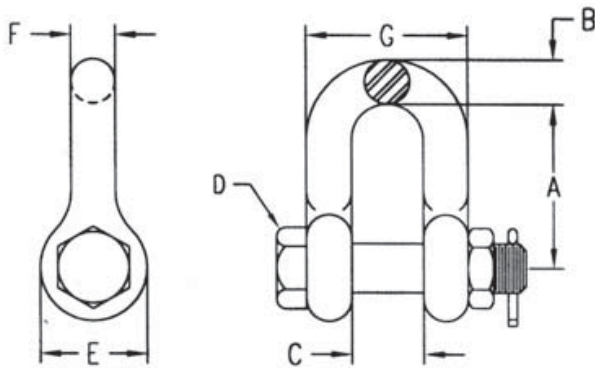


Chain Link

Material

Forged steel hot dip galvanized

Catalog Number	A	B	C	D	Ultimate Strength (lbs)	Weight /100 (lbs)
CL-4	2 1/4	1	1/2	1/2	30000	40
CL-5	3 1/4	1	5/8	5/8	40000	92
CL-6	3 1/2	1	3/4	3/4	60000	145
CL-8	4	1 1/4	1	1	110000	294



Chain Shackle

Material

Shackle:

Forged steel hot dip galvanized

Hardware:

Stainless steel

Catalog Number	A	B	C	D	E	F	G	Ultimate Strength (lbs)	Weight /100 (lbs)
CSH-1010-BC	4 5/8	1 1/4	2	1 1/4	3	1 1/4	4 1/2	100000	965
CSH-1011-BC	4 5/8	1 1/4	2	1 3/8	3	1 1/4	4 1/2	150000	975
CHS-1212BC	5 1/16	1 1/2	2 3/8	1 1/2	3 5/8	1 1/2	5 3/8	200000	1690