



Socket Type Insulator Fittings

Socket - Y-Clevis, Standard Material Ductile iron hot dip galvanized

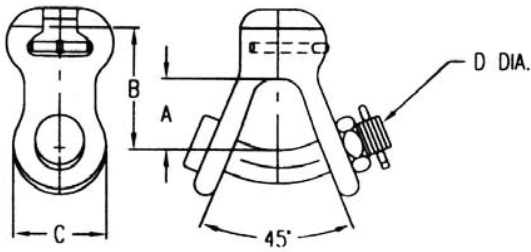


Figure 1

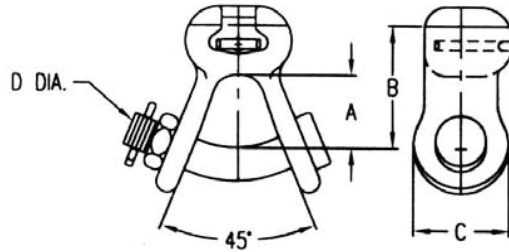
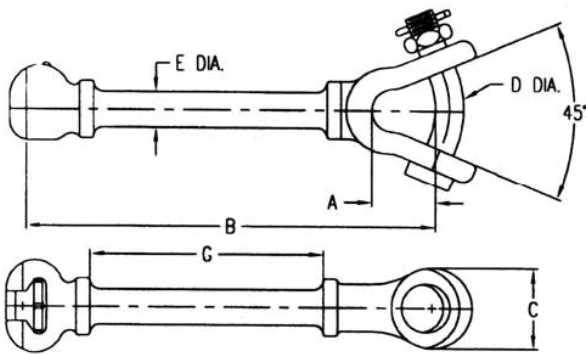


Figure 2

Catalog Number	Fig.	For Insulator Class	A	B	C	D	Ultimate Strength (lbs)	Weight /100 (lbs)
SYC-56	1	*ANSI 52-3 & 5	1 5/8	2 3/4	2 1/8	3/4	30000	321
SYC-56F	1	*ANSI 52-3 & 5	1 3/4	4	2 1/8	3/4	30000	340
SYC-86	1	ANSI 52-8	1 11/16	3	2 3/8	3/4	40000	360
SYC-87	1	ANSI 52-8 & 11	1 7/8	3	2 1/2	7/8	50000	385
SYC-207	1	IEC 20MM	2	4 1/4	2 1/2	7/8	45000	410
SYC-249	1	IEC 24MM	3	4 5/8	3 1/16	1 1/8	66000	1325
SYCR-56	2	*ANSI 52-3 & 5	1 5/8	2 3/4	2 1/8	3/4	30000	290
SYC-87	2	ANSI 52-8 & 11	1 7/8	3	2 1/2	7/8	50000	385

Notes:

1) ANSI 52-5 & IEC 16mm are generally accepted as being interchangeable



Socket - Y-Clevis, Hot Line Material Ductile iron hot dip galvanized

Catalog Number	For Insulator Class	A	B	C	D	E	G	Ultimate Strength (lbs)	Weight /100 (lbs)
SYCHL-56A	*ANSI 52-3 & 5	1 5/8	10 3/4	2 1/8	3/4	15/16	6 3/16	30000	325
SYCHL-87	ANSI 52-8 & 11	2	12	2 3/4	7/8	1 1/4	6 1/2	50000	345

Notes:

1) ANSI 52-5 & IEC 16mm are generally accepted as being interchangeable