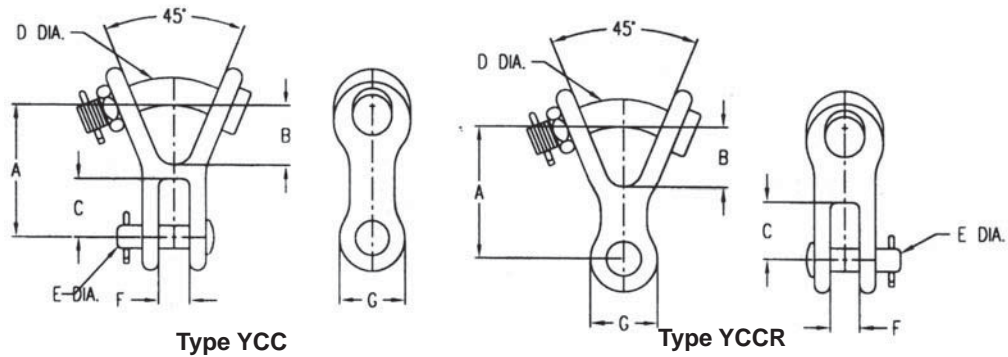




Y-Clevis Type Insulator Fittings

Y-Clevis - Clevis, Standard Material Ductile iron hot dip galvanized

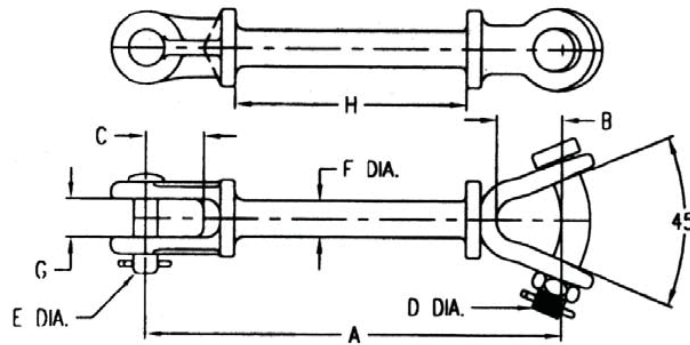


Catalog Number	For Insulator Class	A	C	D	E	F	G	Ultimate Strength (lbs)	Weight /100 (lbs)
YCC-65	3 5/8	1 9/16	1 9/16	3/4	5/8	13/16	1 7/8	30000	135
YCC-76	4 1/8	1 3/4	1 3/4	7/8	3/4	15/16	2	40000	145
YCC-77	4 1/8	1 3/4	1 3/4	7/8	3/4	15/16	2	50000	140
YCCR-65	3 5/8	1 9/16	1 9/16	3/4	5/8	13/16	1 3/4	30000	148

Notes:

1) For bolt, nut and cotter instead of clevis pin and cotter, add suffix "-BC" to catalog number

Y-Clevis - Clevis, Hot Line Material Ductile iron hot dip galvanized



Catalog Number	A	B	C	D	E	F	G	H	Ultimate Strength (lbs)	Weight /100 (lbs)
YCCHL-65	10 7/8	1 3/4	1 1/2	3/4	5/8	15/16	13/16	8 7/8	30000	524
YCCHL-76A	11 3/4	1 3/4	1 1/4	4/8	3/4	1 1/8	13/16	6	40000	650

Notes:

1) For bolt, nut and cotter instead of clevis pin and cotter, add suffix "-BC" to catalog number