



Y-Clevis Type Insulator Fittings

Y-Clevis - Eye, Standard Material

Ductile iron hot dip galvanized

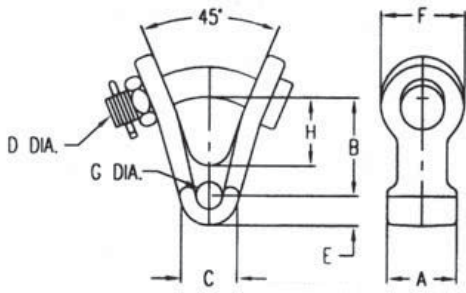


Figure 1

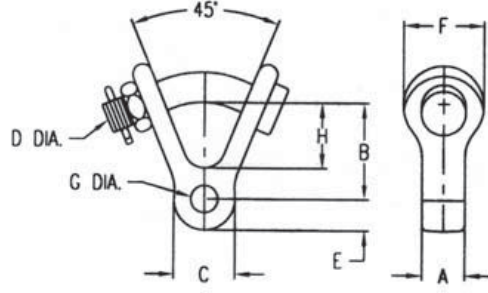


Figure 2

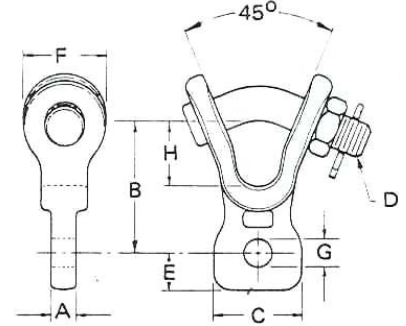


Figure 3

Catalog Number	Fig.	A	B	C	D	E	F	G	H	Ultimate Strength (lbs)	Weight /100 (lbs)
RYCE-65-625	2	5/8	3 1/2	1 5/8	3/4	13/16	2	11/16	1 3/4	19000	205
RYCE-65-625A	3	5/8	2 5/8	2 1/8	3/4	15/16	2 1/8	11/16	1 13/16	30000	220
RYCE-65-1062	2	1 1/16	2 1/2	1 9/16	3/4	13/16	2	11/16	1 3/4	30000	275
RYCE-65-2000	2	2	2 9/16	1 3/4	3/4	3/4	2 1/8	11/16	1 9/16	30000	295
RYCE-65-2187	1	2 3/16	2 5/8	1 1/2	3/4	3/4	2 1/8	11/16	1 7/8	30000	305
RYCE-65-2500	2	2 1/2	2 5/8	1 5/8	3/4	13/16	2	11/16	1 5/8	30000	310
RYCE-66-875	2	7/8	3 1/2	2	3/4	15/16	2 1/8	13/16	1 3/4	30000	275
RYCE-66-1062	2	1 1/16	2 1/2	1 9/16	3/4	13/16	2	13/16	1 3/4	25000	270
RYCE-66-1250	2	1 1/4	2 7/16	1 5/8	3/4	13/16	2 13/16	13/16	1 9/16	30000	275
RYCE-66-1750	2	1 3/4	2 9/16	1 3/4	3/4	13/16	2 1/8	13/16	2	30000	285
RYCE-66-2000	2	2	2 9/16	1 3/4	3/4	3/4	2 1/8	13/16	1 9/16	30000	295
RYCE-66-2125	1	2 1/8	2 5/8	1 5/8	3/4	13/16	2 1/8	13/16	1 7/8	30000	305
RYCI-65-1750	1	1 3/4	2 5/8	1 1/2	3/4	3/4	2 1/8	11/16	1 7/8	30000	245

Notes:

1) ANSI 52-5 & IEC 16mm are generally accepted as being interchangeable

Y-Clevis - Eye, 90° Material

Ductile iron hot dip galvanized

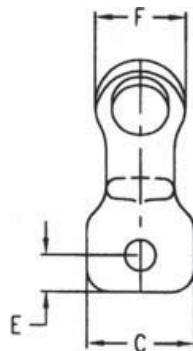


Figure 1

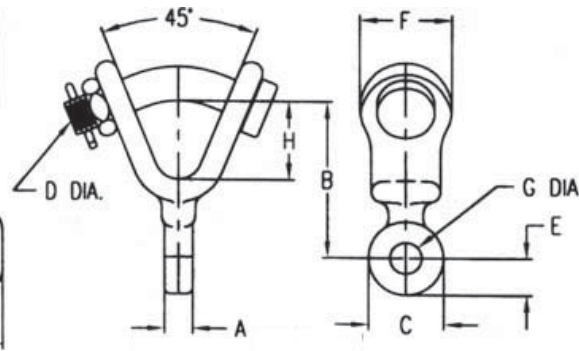


Figure 2

Catalog Number	Fig.	A	B	C	D	E	F	G	H	Ultimate Strength (lbs)	Weight /100 (lbs)
YCE-65-625A	1	5/8	3 1/2	2 3/8	3/4	15/16	2/8	11/16	1 3/4	30000	220
YCE-65-625	2	5/8	3 1/2	1 5/8	3/4	13/16	2	11/16	1 3/4	19000	205
YCE-66-750	2	3/4	3 5/8	2	3/4	1	2 1/8	13/16	1 3/4	30000	240