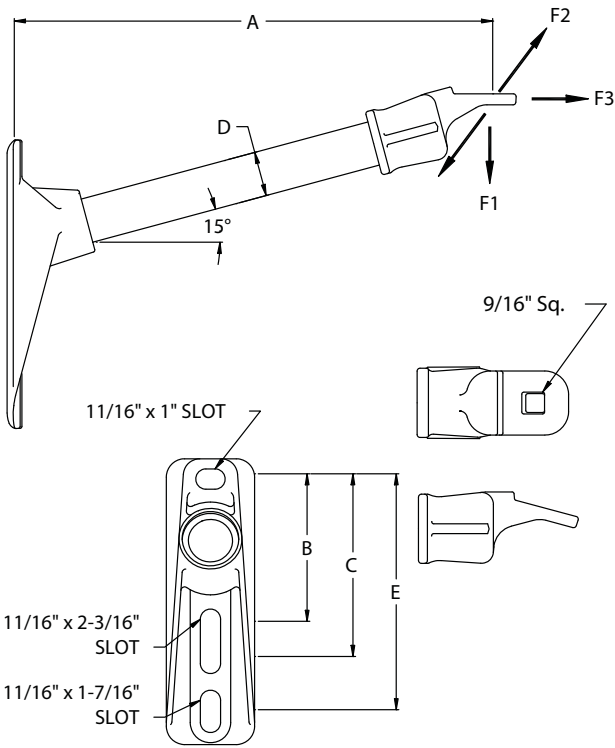




Equipment Brackets



Single Phase Single Position

Features

- Accepts 5/8" mounting hardware
- Cleats to prevent bracket rotation on wood poles

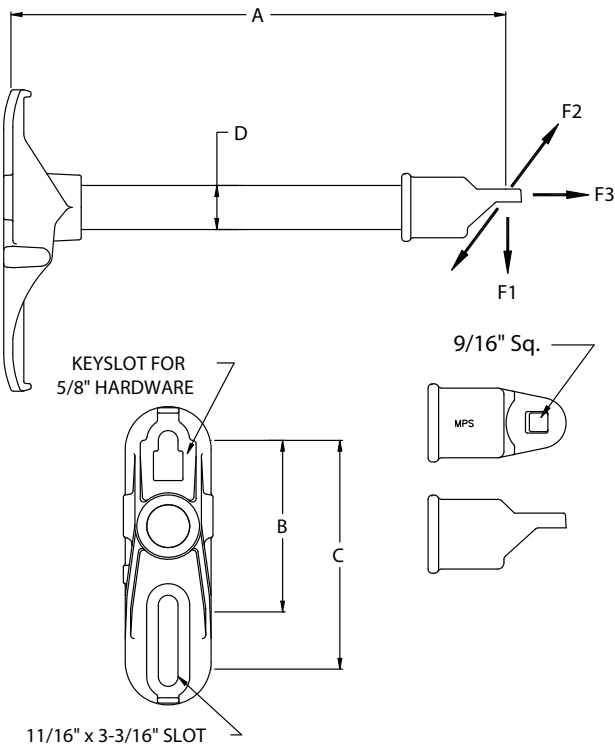
Material

Base: Ductile iron hot dip galvanized ASTM A-153
 End Fitting: Ductile iron hot dip galvanized ASTM A-153
 Rod: Fiberglass gray ultraviolet (UV) protective coating

Catalog Number	Dimensions (In)		Min Ultimate Load (Lbs)			Bolt Spacing (In)			Weight (Lbs)
	A	D	F1 Vert	F2 Long	F3 Trans	B	C	E	
G1MDA112DC	12	1.5	1800	1400	1500	5	6	8	6.8
G1MDA115DC	15	1.5	1500	1150	1500	5	6	8	7.2
G1MDA118DC	18	1.5	1200	900	1500	5	6	8	7.6
G1MDA124DC	24	1.5	900	700	1500	5	6	8	8.4

Notes:

- 1) Lengths shown are considered standard; for other lengths, consult factory
- 2) Add "SC" for silicone coated rod (harsh environments)
- 3) Add "B" for standard hardware (1/2" x 2" carriage bolt; 1/2" hex nut; 1/2" lock washer)
- 4) For other options, thread sizes, and optional base and end fittings, reference Fiberglass Catalog Numbering System Matrix



Single Phase Single Position

Features

- Accepts 5/8" mounting hardware
- Tab retainers for banding provisions
- Keyhole of installation ease on top bolt

Material

Base: Aluminum A356-T6
 End Fitting: Ductile iron hot dip galvanized ASTM A-153
 Rod: Fiberglass gray ultraviolet (UV) protective coating

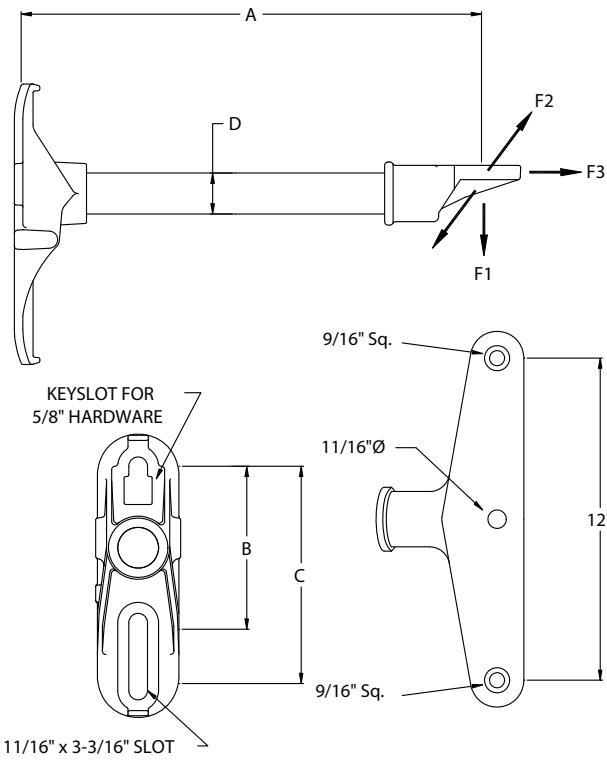
Catalog Number	Dimensions (In)		Min Ultimate Load (Lbs)			Bolt Spacing (In)		Weight (Lbs)
	A	D	F1 Vert	F2 Long	F3 Trans	B	C	
G1MA0112DC	12	1.5	1800	1500	1500	6	8	3.4
G1MA0115DC	15	1.5	1500	1350	1500	6	8	3.7
G1MA0118DC	18	1.5	1200	1150	1500	6	8	4.1

Notes:

- 1) Lengths shown are considered standard; for other lengths, consult factory
- 2) Add "SC" for silicone coated rod (harsh environments)
- 3) Add "B" for standard hardware (1/2" x 2" carriage bolt; 1/2" hex nut; 1/2" lock washer)
- 4) For other options, thread sizes, and optional base and end fittings, reference Fiberglass Catalog Numbering System Matrix



Equipment Brackets



Single Phase Double Position

Features

- Accepts 5/8" mounting hardware
- Tab retainers for banding provisions
- Keyhole for installation ease on top bolt

Material

Base: Aluminum A356-T6
 End Fitting: Ductile iron hot dip galvanized ASTM A-153
 Rod: Fiberglass gray ultraviolet (UV) protective coating

Catalog Number	Dimensions (In)		Min Ultimate Load (Lbs)			Bolt Spacing (In)		Weight (Lbs)
	A	D	F1 Vert	F2 Long	F3 Trans	B	C	
G1MA0112DD	12	1.5	1800	1400	10000	6	8	4.5
G1MA0115DD	15	1.5	1500	1150	10000	6	8	4.9
G1MA0118DD	18	1.5	1200	900	10000	6	8	5.3
G1MA0124DD	24	1.5	900	700	10000	6	8	6.0

Notes:

- 1) Lengths shown are considered standard; for other lengths, consult factory
- 2) Add "SC" for silicone coated rod (harsh environments)
- 3) Add "B" for standard hardware (1/2" x 2" carriage bolt; 1/2" hex nut; 1/2" lock washer)
- 4) For other options, thread sizes, and optional base and end fittings, reference Fiberglass Catalog Numbering System Matrix

Single Phase Triple Position

Features

- Accepts 5/8" mounting hardware
- Cleats to prevent bucket rotation on wood poles (1.5" only)
- Tab retainers for banding provisions (2" only)
- Recessed cavity in base to allow double nutting for back to back mounting (2" only)

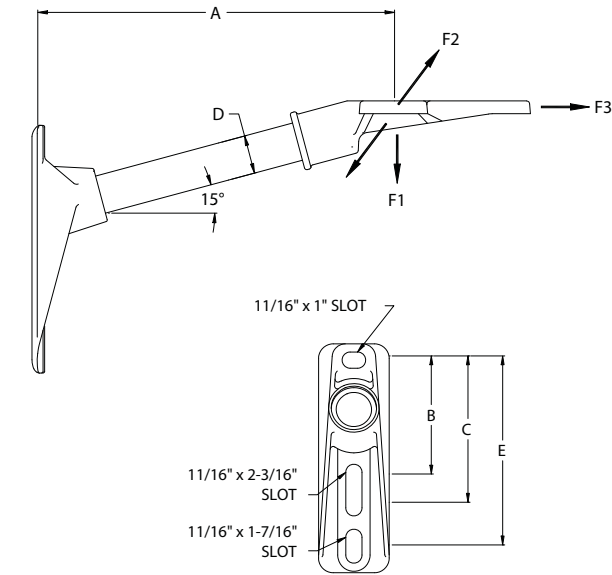
Material

Base: Ductile iron hot dip galvanized ASTM A-153
 End Fitting: Aluminum A356-T6
 Rod: Fiberglass gray ultraviolet (UV) protective coating

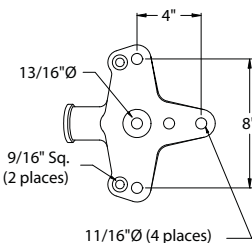
Catalog Number	Dimensions (In)		Min Ultimate Load (Lbs)			Bolt Spacing (In)			Weight (Lbs)
	A	D	F1 Vert	F2 Long	F3 Trans	B	C	E	
G1MDA112AT	12	1.5	1800	1400	10000	5	6	8	6.9
G1MDA118AT	18	1.5	1200	900	10000	5	6	8	7.6
G1MDA124AT	24	1.5	900	700	10000	5	6	8	8.4
G1HDA512AT	12	2.0	3000	1800	10000	8	10		12.2
G1HDA518AT	18	2.0	2250	1500	10000	8	10		13.6
G1HDA524AT	24	2.0	1750	1100	10000	8	10		15.0

Notes:

- 1) Lengths shown are considered standard; for other lengths, consult factory
- 2) Add "SC" for silicone coated rod (harsh environments)
- 3) Add "B" for standard hardware (1/2" x 2" carriage bolt; 1/2" hex nut; 1/2" lock washer)
- 4) For other options, thread sizes, and optional base and end fittings, reference Fiberglass Catalog Numbering System Matrix
- 5) For end fitting style "G", replace fitting specification "T" (e.g. G1MDA112AG) - available for 1.5" diameter only

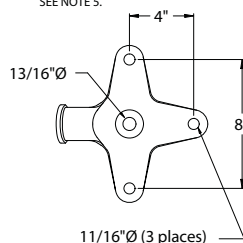


STYLE - T



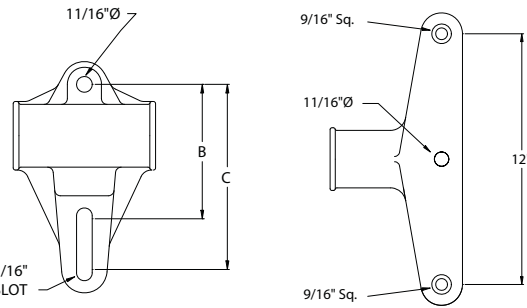
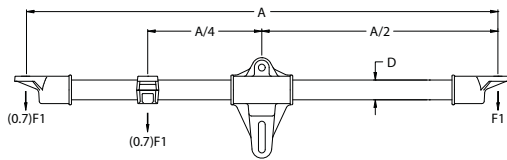
STYLE - G

SEE NOTE 5.





Equipment Brackets



11/16" x 3-3/16" SLOT

Two Phase Double Position

Features

- Accepts 5/8" mounting hardware

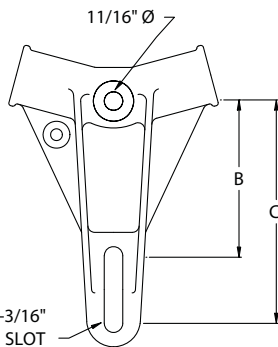
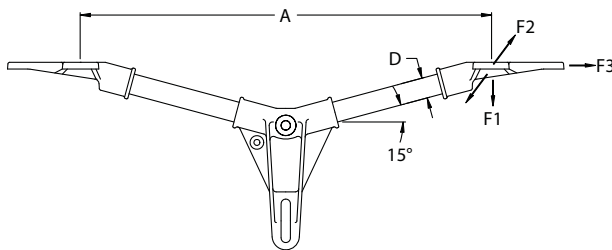
Material

Base: Aluminum A356-T6
 End Fitting: Ductile iron hot dip galvanized ASTM A-153
 Rod: Fiberglass gray ultraviolet (UV) protective coating

Catalog Number	Dimensions (In)		Min Ultimate Load (Lbs)			Bolt Spacing (In)		Weight (Lbs)
	A	D	F1 Vert	F2 Long	F3 Trans	B	C	
G2HA0160AD	60	2.0	1300			6	8	20.2
G2HA0172AD	72	2.0	1100			6	8	22.9

Notes:

- 1) Lengths shown are considered standard; for other lengths, consult factory
- 2) Add "SC" for silicone coated rod (harsh environments)
- 3) Add "B" for standard hardware (1/2" x 2" carriage bolt; 1/2" hex nut; 1/2" lock washer)
- 4) For other options, thread sizes, and optional base and end fittings, reference Fiberglass Catalog Numbering System Matrix



11/16" x 3-3/16" SLOT

Two Phase Triple Position

Features

- Accepts 5/8" mounting hardware
- Recessed cavity in base to allow double nutting for back to back mounting

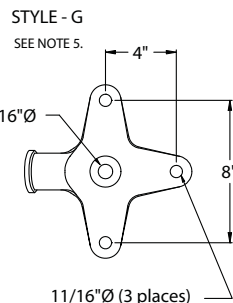
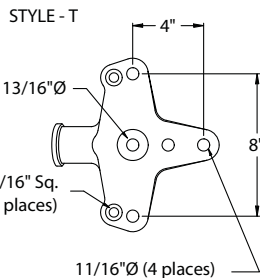
Material

Base: Aluminum A356-T6
 End Fitting: Aluminum A356-T6
 Rod: Fiberglass gray ultraviolet (UV) protective coating

Catalog Number	Dimensions (In)		Min Ultimate Load (Lbs)			Bolt Spacing (In)		Weight (Lbs)
	A	D	F1 Vert	F2 Long	F3 Trans	B	C	
G2MAA148AT	48	1.5	900	700	10000	6	8	11.7
G2HAA348AT	48	2.0	1650	1100	10000	8	10	18.7

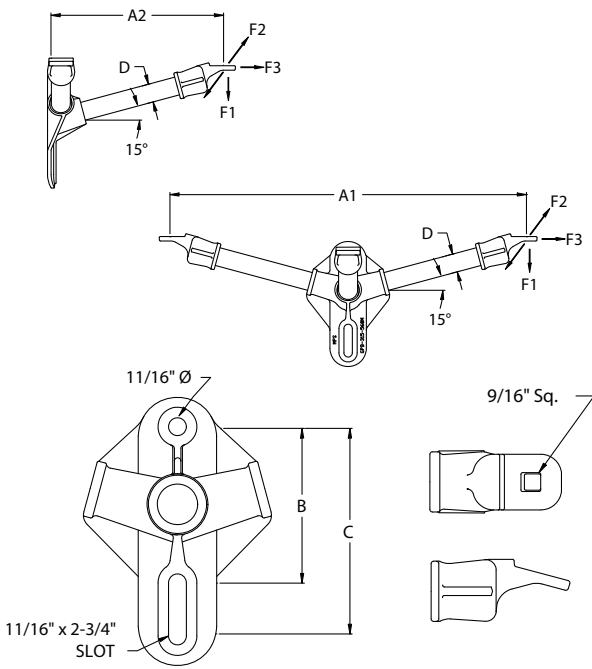
Notes:

- 1) Lengths shown are considered standard; for other lengths, consult factory
- 2) Add "SC" for silicone coated rod (harsh environments)
- 3) Add "B" for standard hardware (1/2" x 2" carriage bolt; 1/2" hex nut; 1/2" lock washer)
- 4) For other options, thread sizes, and optional base and end fittings, reference Fiberglass Catalog Numbering System Matrix
- 5) For end fitting style "G", replace fitting specification "T" (e.g. G2MAA148AG) - available for 1.5" diameter only





Equipment Brackets



Three Phase Single Position

Features

- Accepts 5/8" mounting hardware

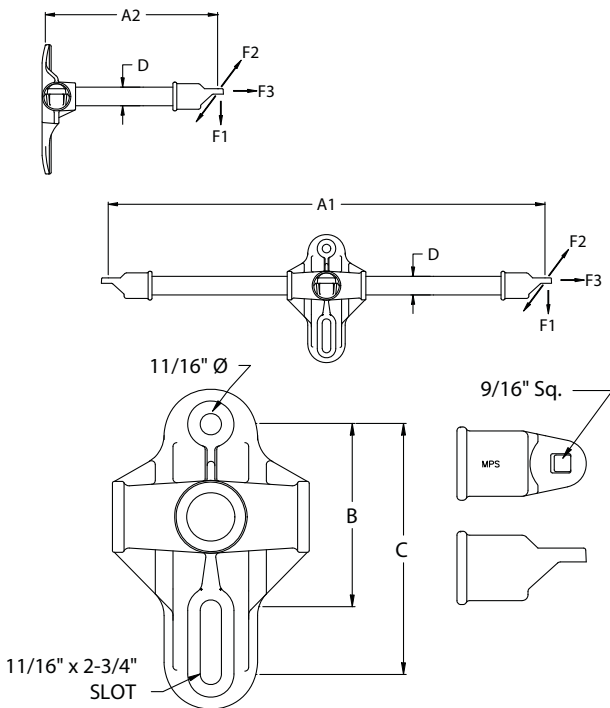
Material

Base: Aluminum A356-T6
 End Fitting: Ductile iron hot dip galvanized ASTM A-153
 Rod: Fiberglass gray ultraviolet (UV) protective coating

Catalog Number	Dimensions (In)			Min Ultimate Load (Lbs)			Bolt Spacing (In)		Weight (Lbs)
	A1	A2	D	F1 Vert	F2 Long	F3 Trans	B	C	
G3MAA13613DC	36	13	1.5	1200	900	1500	6	8	13.2
G3MAA14813DC	48	13	1.5	900	700	1500	6	8	14.7

Notes:

- 1) Lengths shown are considered standard; for other lengths, consult factory
- 2) Add "SC" for silicone coated rod (harsh environments)
- 3) Add "B" for standard hardware (1/2" x 2" carriage bolt; 1/2" hex nut; 1/2" lock washer)
- 4) For other options, thread sizes, and optional base and end fittings, reference Fiberglass Catalog Numbering System Matrix



Three Phase Single Position

Features

- Accepts 5/8" mounting hardware

Material

Base: Aluminum A356-T6
 End Fitting: Ductile iron hot dip galvanized ASTM A-153
 Rod: Fiberglass gray ultraviolet (UV) protective coating

Catalog Number	Dimensions (In)			Min Ultimate Load (Lbs)			Bolt Spacing (In)		Weight (Lbs)
	A1	A2	D	F1 Vert	F2 Long	F3 Trans	B	C	
G3MA013613DC	36	13	1.5	1200	900	1500	6	8	8.9
G3MA014813DC	48	13	1.5	900	700	1500	6	8	10.3
G3MA014818DC	48	18	1.5	900	700	1500	6	8	11.0

Notes:

- 1) Lengths shown are considered standard; for other lengths, consult factory
- 2) Add "SC" for silicone coated rod (harsh environments)
- 3) Add "B" for standard hardware (1/2" x 2" carriage bolt; 1/2" hex nut; 1/2" lock washer)
- 4) For other options, thread sizes, and optional base and end fittings, reference Fiberglass Catalog Numbering System Matrix



Equipment Brackets

Three Phase Double Position

Features

- Accepts 5/8" mounting hardware
- Recessed cavity in base to allow double nutting for back to back mounting (2" only)
- Keyhole for installation ease on top bolt (2" only)

Material

Base: Aluminum A356-T6
 End Fitting: Aluminum A356-T6
 Rod: Fiberglass gray ultraviolet (UV) protective coating

Catalog Number	Dimensions (In)			Min Ultimate Load (Lbs)			Bolt Spacing (In)		Weight (Lbs)
	A1	A2	D	F1 Vert	F2 Long	F3 Trans	B	C	
G3MAA13013AD	30	13	1.5	1350	1000	10000	6	8	12.4
G3MAA14813AD	48	13	1.5	900	700	10000	6	8	14.7
G3MAA14818AD	48	18	1.5	900	700	10000	6	8	15.4
G3MAA14824AD	48	24	1.5	900	700	10000	6	8	16.1
G3HAA14813AD	48	13	2.0	1650	1100	10000	8		20.8
G3HAA14818AD	48	18	2.0	1650	1100	10000	8		22.0
G3HAA14824AD	48	24	2.0	1650	1100	10000	8		23.3

Notes:

- 1) Lengths shown are considered standard; for other lengths, consult factory
- 2) Add "SC" for silicone coated rod (harsh environments)
- 3) Add "B" for standard hardware (1/2" x 2" carriage bolt; 1/2" hex nut; 1/2" lock washer)
- 4) For other options, thread sizes, and optional base and end fittings, reference Fiberglass Catalog Numbering System Matrix

Three Phase Double Position

Features

- Accepts 5/8" mounting hardware

Material

Base: Aluminum A356-T6
 End Fitting: Ductile iron hot dip galvanized ASTM A-153
 Rod: Fiberglass gray ultraviolet (UV) protective coating

Catalog Number	Dimensions (In)			Min Ultimate Load (Lbs)			Bolt Spacing (In)		Weight (Lbs)
	A1	A2	D	F1 Vert	F2 Long	F3 Trans	B	C	
G3MA013613DD	36	13	1.5	1200	900	10000	6	8	12.3
G3MA014813DD	48	13	1.5	900	700	10000	6	8	13.8
G3MA014824DD	48	24	1.5	900	700	10000	6	8	15.2

Notes:

- 1) Lengths shown are considered standard; for other lengths, consult factory
- 2) Add "SC" for silicone coated rod (harsh environments)
- 3) Add "B" for standard hardware (1/2" x 2" carriage bolt; 1/2" hex nut; 1/2" lock washer)
- 4) For other options, thread sizes, and optional base and end fittings, reference Fiberglass Catalog Numbering System Matrix

