



# Pin Brackets

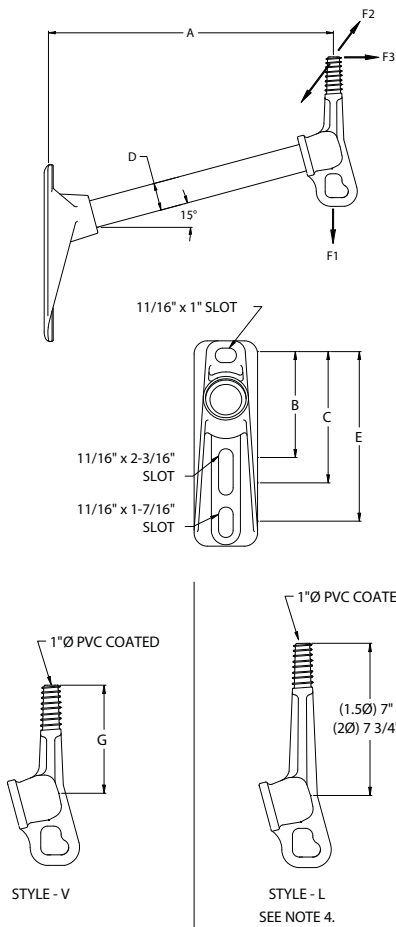
## Single Phase Vertical

### Features

- Accepts 5/8" mounting hardware
- Cleats to prevent bracket rotation on wood poles (1.5" only)
- Recessed cavity in base to allow double nutting for back to back mounting (2" only)

### Material

Base: Ductile iron hot dip galvanized ASTM A-153  
 End Fitting: Ductile iron hot dip galvanized ASTM A-153  
 Rod: Fiberglass gray ultraviolet (UV) protective coating



Catalog Number	Dimensions (In)			Min Ultimate Load (Lbs)			Bolt Spacing (In)			Weight (Lbs)
	A	D	G	F1 Vert	F2 Long	F3 Trans	B	C	E	
G1MDA112DV1	12	1.5	5	2100	1300	2000	5	6	8	7.1
G1MDA115DV1	15	1.5	5	1700	1100	2000	5	6	8	7.5
G1MDA118DV1	18	1.5	5	1500	900	2000	5	6	8	7.9
G1MDA121DV1	21	1.5	5	1200	800	2000	5	6	8	8.3
G1MDA124DV1	24	1.5	5	1000	700	2000	5	6	8	8.7
G1HDA118DV1	18	2.0	5 3/8	2250	1950	2500	8			13.2
G1HDA121DV1	21	2.0	5 3/8	2150	1850	2500	8			13.9
G1HDA124DV1	24	2.0	5 3/8	2100	1800	2500	8			14.6
G1HDA130DV1	30	2.0	5 3/8	1800	1750	2500	8			16.0

### Notes:

- 1) Lengths shown are considered standard; for other lengths, consult factory
- 2) Add "SC" for silicone coated rod (harsh environments)
- 3) For other options, thread sizes, and optional base and end fittings, reference Fiberglass Catalog Numbering System Matrix
- 4) For end fitting style "L", replace fitting specification "V" (e.g. G1MDA112DL1)

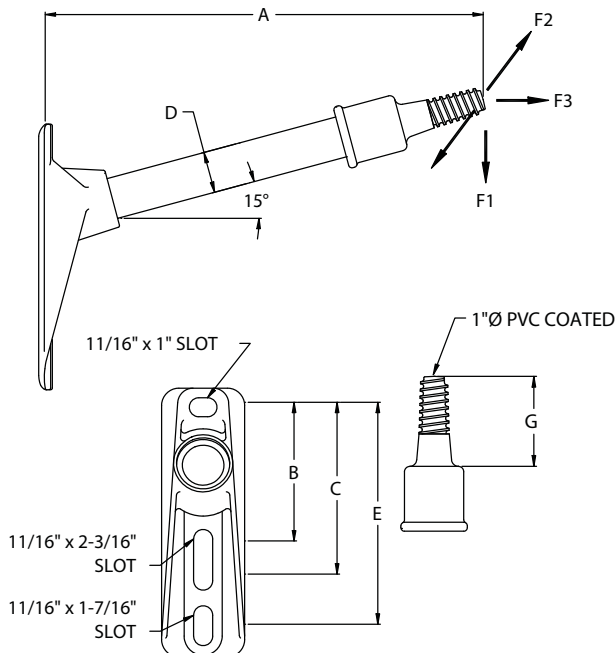
## Single Phase Horizontal

### Features

- Accepts 5/8" mounting hardware
- Cleats to prevent bracket rotation on wood poles (1.5" only)
- Recessed cavity in base to allow double nutting for back to back mounting (2" only)

### Material

Base: Ductile iron hot dip galvanized ASTM A-153  
 End Fitting: Aluminum A356-T6  
 Rod: Fiberglass gray ultraviolet (UV) protective coating



Catalog Number	Dimensions (In)			Min Ultimate Load (Lbs)			Bolt Spacing (In)			Weight (Lbs)
	A	D	G	F1 Vert	F2 Long	F3 Trans	B	C	E	
G1MDA112AS1	12	1.5	3 1/8	1850	1600	1500	5	6	8	5.5
G1MDA116AS1	16	1.5	3 1/8	1400	1250	1500	5	6	8	6.0
G1MDA118AS1	18	1.5	3 1/8	1200	1200	1500	5	6	8	6.2
G1MDA124AS1	24	1.5	3 1/8	1050	1050	1500	5	6	8	7.0
G1HDA118AS1	18	2.0	3 3/8	2000	1500	1500	8			11.3
G1HDA124AS1	24	2.0	3 3/8	1750	1200	1500	8			12.6

### Notes:

- 1) Lengths shown are considered standard; for other lengths, consult factory
- 2) Add "SC" for silicone coated rod (harsh environments)
- 3) For other options, thread sizes, and optional base and end fittings, reference Fiberglass Catalog Numbering System Matrix



# Pin Brackets

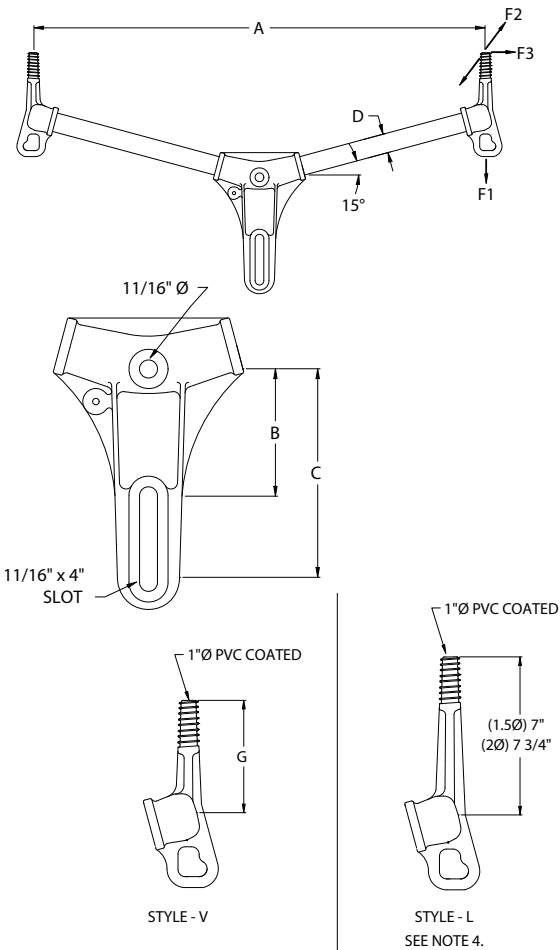
## Two Phase Vertical

### Features

- Accepts 5/8" mounting hardware
- Recessed cavity in base to allow double nutting for back to back mounting
- Cleats to prevent bracket rotation on wood poles (2" only)

### Material

Base: Ductile iron hot dip galvanized ASTM A-153  
 End Fitting: Ductile iron hot dip galvanized ASTM A-153  
 Rod: Fiberglass gray ultraviolet (UV) protective coating



Catalog Number	Dimensions (In)			Min Ultimate Load (Lbs)			Bolt Spacing (In)		Weight (Lbs)
	A	D	G	F1 Vert	F2 Long	F3 Trans	B	C	
G2MDA136DV1	36	1.5	5	1500	900	2000	5	8	13.3
G2MDA140DV1	40	1.5	5	1300	850	2000	5	8	13.8
G2MDA148DV1	48	1.5	5	1000	700	2000	5	8	14.9
G2MDA160DV1	60	1.5	5	800	550	2000	5	8	16.4
G2HDA236DV1	36	2.0	5 3/8	2550	2000	2500	5	8	18.1
G2HDA242DV1	42	2.0	5 3/8	2400	1950	2500	5	8	18.9
G2HDA248DV1	48	2.0	5 3/8	2250	1900	2500	5	8	19.7
G2HDA260DV1	60	2.0	5 3/8	1950	1800	2500	5	8	21.2
G2HDA272DV1	72	2.0	5 3/8	1800	1750	2500	5	8	22.7

### Notes:

- 1) Lengths shown are considered standard; for other lengths, consult factory
- 2) Add "SC" for silicone coated rod (harsh environments)
- 3) For other options, thread sizes, and optional base and end fittings, reference Fiberglass Catalog Numbering System Matrix
- 4) For end fitting style "L", replace fitting specification "V" (e.g. G2MDA148DL1)

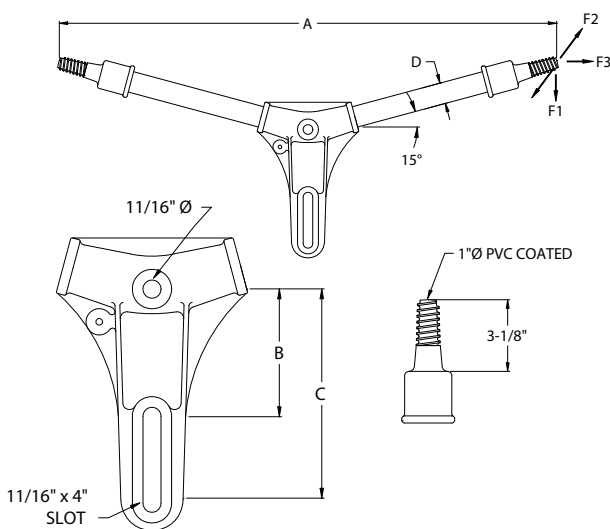
## Two Phase Horizontal

### Features

- Accepts 5/8" mounting hardware
- Recessed cavity in base to allow double nutting for back to back mounting

### Material

Base: Ductile iron hot dip galvanized ASTM A-153  
 End Fitting: Aluminum A356-T6  
 Rod: Fiberglass gray ultraviolet (UV) protective coating



Catalog Number	Dimensions (In)		Min Ultimate Load (Lbs)			Bolt Spacing (In)		Weight (Lbs)
	A	D	F1 Vert	F2 Long	F3 Trans	B	C	
G2MDA136AS1	36	1.5	1200	1200	1500	5	8	10.0
G2MDA148AS1	48	1.5	1050	1050	1500	5	8	11.5

### Notes:

- 1) Lengths shown are considered standard; for other lengths, consult factory
- 2) Add "SC" for silicone coated rod (harsh environments)
- 3) For other options, thread sizes, and optional base and end fittings, reference Fiberglass Catalog Numbering System Matrix