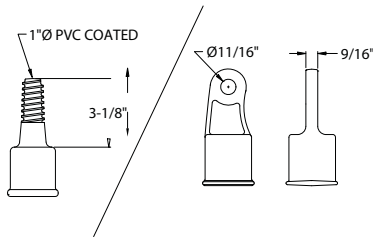
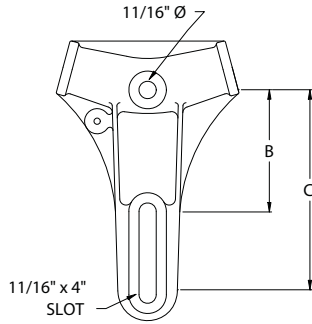
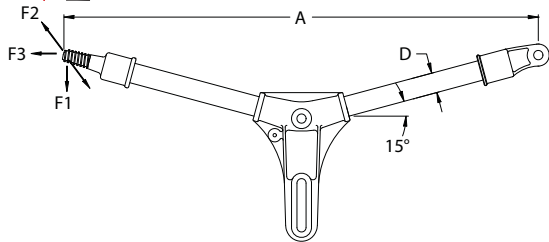




# Pin Brackets



## Two Phase Combination

### Features

- Accepts 5/8" mounting hardware
- Recessed cavity in base to allow double nutting for back to back mounting

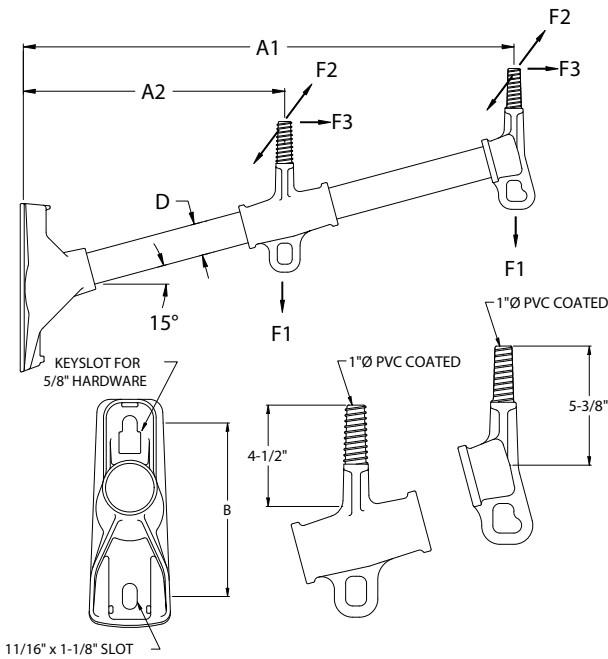
### Material

Base: Ductile iron hot dip galvanized ASTM A-153  
 End Fitting: Aluminum A356-T6  
 Rod: Fiberglass gray ultraviolet (UV) protective coating

Catalog Number	Dimensions (In)		Min Ultimate Load (Lbs)			Bolt Spacing (In)		Weight (Lbs)
	A	D	F1 Vert	F2 Long	F3 Trans	B	C	
G2MDA136AX1	36	1.5	1200	1200	1500	6	8	10.1

### Notes:

- 1) Lengths shown are considered standard; for other lengths, consult factory
- 2) Add "SC" for silicone coated rod (harsh environments)
- 3) For other options, thread sizes, and optional base and end fittings, reference Fiberglass Catalog Numbering System Matrix



## Two Phase Alley Arm

### Features

- Accepts 5/8" mounting hardware
- Recessed cavity in base to allow double nutting for back to back mounting

### Material

Base: Ductile iron hot dip galvanized ASTM A-153  
 End Fitting: Ductile iron hot dip galvanized ASTM A-153  
 Rod: Fiberglass gray ultraviolet (UV) protective coating

Catalog Number	Dimensions (In)			Min Ultimate Load (Lbs)			Bolt Spacing (In)	Weight (Lbs)
	A1	A2	D	F1 Vert	F2 Long	F3 Trans	C	
G1HDA33814DV1	38	14	2.0	900	800	2000	8	22.2
G1HDA34212DV1	42	12	2.0	800	700	2000	8	23.2

### Notes:

- 1) Lengths shown are considered standard; for other lengths, consult factory
- 2) Add "SC" for silicone coated rod (harsh environments)
- 3) For other options, thread sizes, and optional base and end fittings, reference Fiberglass Catalog Numbering System Matrix