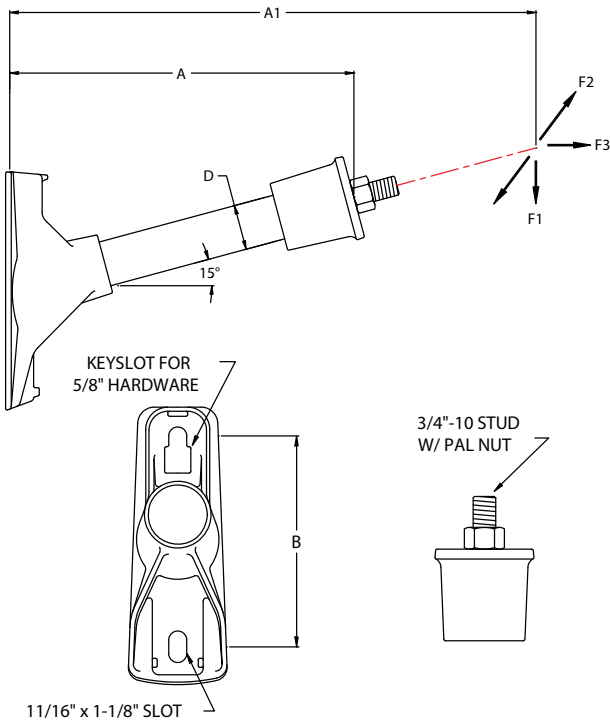




Insulator Brackets



Single Phase Line Post

Features

- Accepts 5/8" mounting hardware
- Tab retainers for banding provisions
- Recessed cavity in base to allow double nutting for back to back mounting
- Keyhole for installation ease on top bolt

Material

Base: Ductile iron hot dip galvanized ASTM A-153
 End Fitting: Aluminum A356-T6
 Rod: Fiberglass gray ultraviolet (UV) protective coating

Catalog Number	Dimensions (In)			Min Ultimate Load (Lbs)			Bolt Spacing (In)		Weight (Lbs)
	A	A1	D	F1 Vert	F2 Long	F3 Trans	B		
G1HDA314AP	14	23.63	2.0	2100	1850	2500	8		11.6
G1HDA318AP	18	27.63	2.0	1750	1550	2500	8		12.5
G1HDA321AP	21	30.63	2.0	1550	1350	2500	8		13.1

Notes:

- 1) Lengths shown are considered standard; for other lengths, consult factory
- 2) Add "SC" for silicone coated rod (harsh environments)
- 3) For other options, thread sizes, and optional base and end fittings, reference Fiberglass Catalog Numbering System Matrix

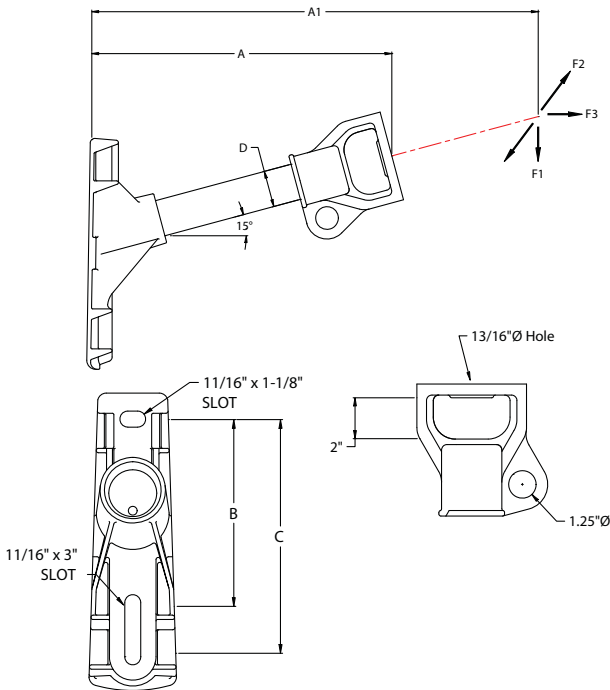
Single Phase Line Post

Features

- Accepts 5/8" mounting hardware
- Tab retainers for banding provisions
- Recessed cavity in base to allow double nutting for back to back mounting

Material

Base: Aluminum A356-T6
 End Fitting: Aluminum A356-T6
 Rod: Fiberglass gray ultraviolet (UV) protective coating



Catalog Number	Dimensions (In)			Min Ultimate Load (Lbs)			Bolt Spacing (In)		Weight (Lbs)
	A	A1	D	F1 Vert	F2 Long	F3 Trans	B	C	
G1HAA514AH	14	23.38	2.0	2100	1850	2500	8	10	8.3
G1HAA518AH	18	27.38	2.0	1750	1550	2500	8	10	9.0
G1HAA521AH	21	30.38	2.0	1550	1350	2500	8	10	9.8

Notes:

- 1) Lengths shown are considered standard; for other lengths, consult factory
- 2) Add "SC" for silicone coated rod (harsh environments)
- 3) For other options, thread sizes, and optional base and end fittings, reference Fiberglass Catalog Numbering System Matrix



Insulator Brackets

Single Phase Horizontal Line Post

Features

- Accepts 5/8" mounting hardware
- Recessed cavity in base to allow double nutting for back to back mounting

Material

Base: Aluminum A356-T6
 End Fitting: Steel
 Rod: Fiberglass gray ultraviolet (UV) protective coating

Catalog Number	Dimensions (In)			Min Ultimate Load (Lbs)			Bolt Spacing (In)		Weight (Lbs)
	A	A1	D	F1 Vert	F2 Long	F3 Trans	B	C	
G1XAA134SH	34	43.38	2.5	2800	2200	2500	8	10	21.0
G1XAA172SH	72	81.38	2.5	1400	1100	2500	8	10	34.5

Notes:

- 1) Lengths shown are considered standard; for other lengths, consult factory
- 2) Add "SC" for silicone coated rod (harsh environments)
- 3) For other options, thread sizes, and optional base and end fittings, reference Fiberglass Catalog Numbering System Matrix

Single Phase Suspension

Features

- Accepts 5/8" mounting hardware
- Cleats to prevent bracket rotation on wood poles

Material

Base: Ductile iron hot dip galvanized ASTM A-153
 End Fitting: 1.5" - Aluminum A356-T6
 2.0" - Ductile iron hot dip galvanized ASTM A-153
 Rod: Fiberglass gray ultraviolet (UV) protective coating

Catalog Number	Dimensions (In)		Min Ultimate Load (Lbs)			Bolt Spacing (In)			Weight (Lbs)
	A	D	F1 Vert	F2 Long	F3 Trans	B	C	E	
G1MDA118AE	18	1.5	1200	900	5000	5	6	8	6.4
G1HDA318DE	18	2.0	2550	2000	10000	8			16.2

Notes:

- 1) Lengths shown are considered standard; for other lengths, consult factory
- 2) Add "SC" for silicone coated rod (harsh environments)
- 3) For other options, thread sizes, and optional base and end fittings, reference Fiberglass Catalog Numbering System Matrix
- 4) For end fitting style "M", replace fitting specification "S" (e.g. G1MDR113AM1)

