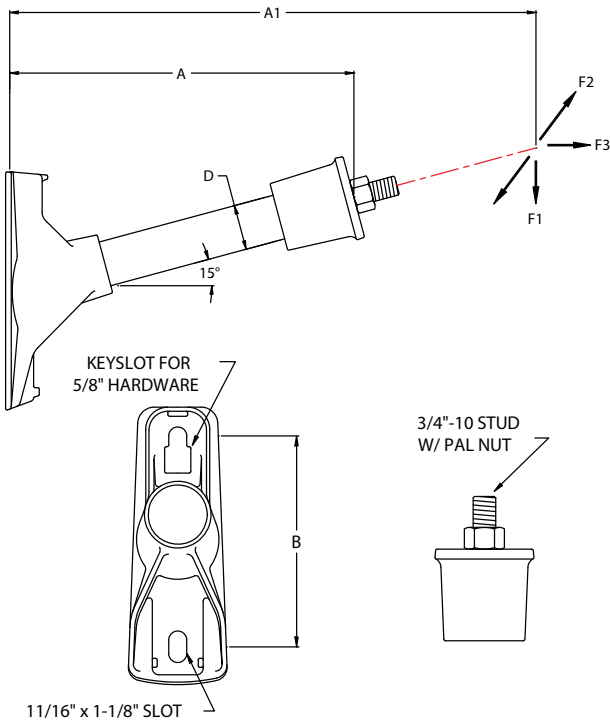




# Insulator Brackets



## Single Phase Line Post

### Features

- Accepts 5/8" mounting hardware
- Tab retainers for banding provisions
- Recessed cavity in base to allow double nutting for back to back mounting
- Keyhole for installation ease on top bolt

### Material

Base: Ductile iron hot dip galvanized ASTM A-153  
 End Fitting: Aluminum A356-T6  
 Rod: Fiberglass gray ultraviolet (UV) protective coating

Catalog Number	Dimensions (In)			Min Ultimate Load (Lbs)			Bolt Spacing (In)		Weight (Lbs)
	A	A1	D	F1 Vert	F2 Long	F3 Trans	B		
G1HDA314AP	14	23.63	2.0	2100	1850	2500	8		11.6
G1HDA318AP	18	27.63	2.0	1750	1550	2500	8		12.5
G1HDA321AP	21	30.63	2.0	1550	1350	2500	8		13.1

### Notes:

- 1) Lengths shown are considered standard; for other lengths, consult factory
- 2) Add "SC" for silicone coated rod (harsh environments)
- 3) For other options, thread sizes, and optional base and end fittings, reference Fiberglass Catalog Numbering System Matrix

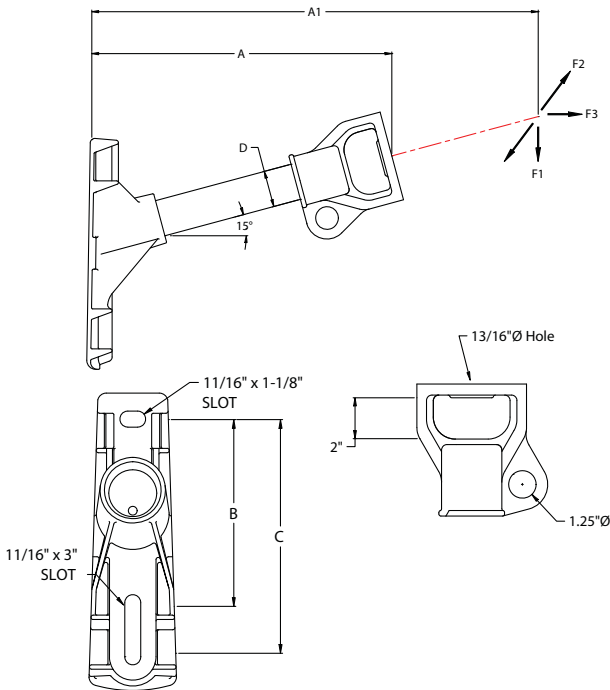
## Single Phase Line Post

### Features

- Accepts 5/8" mounting hardware
- Tab retainers for banding provisions
- Recessed cavity in base to allow double nutting for back to back mounting

### Material

Base: Aluminum A356-T6  
 End Fitting: Aluminum A356-T6  
 Rod: Fiberglass gray ultraviolet (UV) protective coating



Catalog Number	Dimensions (In)			Min Ultimate Load (Lbs)			Bolt Spacing (In)		Weight (Lbs)
	A	A1	D	F1 Vert	F2 Long	F3 Trans	B	C	
G1HAA514AH	14	23.38	2.0	2100	1850	2500	8	10	8.3
G1HAA518AH	18	27.38	2.0	1750	1550	2500	8	10	9.0
G1HAA521AH	21	30.38	2.0	1550	1350	2500	8	10	9.8

### Notes:

- 1) Lengths shown are considered standard; for other lengths, consult factory
- 2) Add "SC" for silicone coated rod (harsh environments)
- 3) For other options, thread sizes, and optional base and end fittings, reference Fiberglass Catalog Numbering System Matrix