



# Insulator Brackets

## Single Phase Horizontal Line Post

### Features

- Accepts 5/8" mounting hardware
- Recessed cavity in base to allow double nutting for back to back mounting

### Material

Base: Aluminum A356-T6  
 End Fitting: Steel  
 Rod: Fiberglass gray ultraviolet (UV) protective coating

Catalog Number	Dimensions (In)			Min Ultimate Load (Lbs)			Bolt Spacing (In)		Weight (Lbs)
	A	A1	D	F1 Vert	F2 Long	F3 Trans	B	C	
G1XAA134SH	34	43.38	2.5	2800	2200	2500	8	10	21.0
G1XAA172SH	72	81.38	2.5	1400	1100	2500	8	10	34.5

### Notes:

- 1) Lengths shown are considered standard; for other lengths, consult factory
- 2) Add "SC" for silicone coated rod (harsh environments)
- 3) For other options, thread sizes, and optional base and end fittings, reference Fiberglass Catalog Numbering System Matrix

## Single Phase Suspension

### Features

- Accepts 5/8" mounting hardware
- Cleats to prevent bracket rotation on wood poles

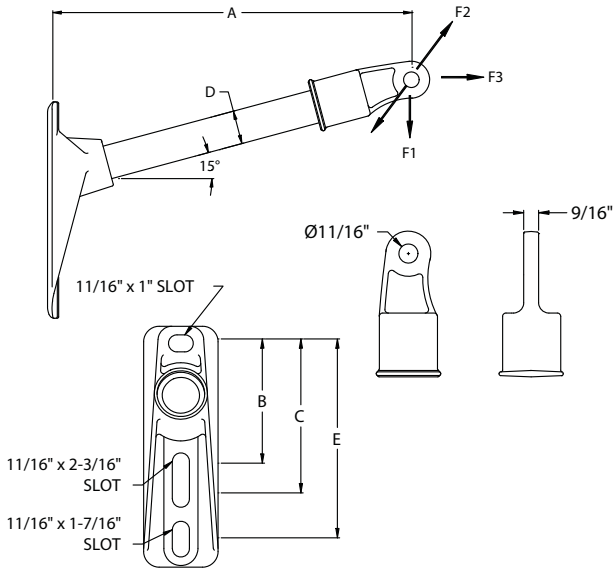
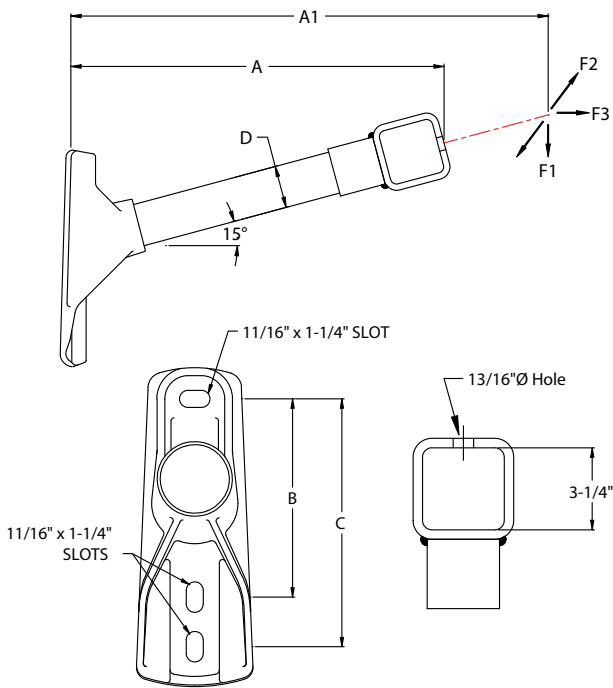
### Material

Base: Ductile iron hot dip galvanized ASTM A-153  
 End Fitting: 1.5" - Aluminum A356-T6  
 2.0" - Ductile iron hot dip galvanized ASTM A-153  
 Rod: Fiberglass gray ultraviolet (UV) protective coating

Catalog Number	Dimensions (In)		Min Ultimate Load (Lbs)			Bolt Spacing (In)			Weight (Lbs)
	A	D	F1 Vert	F2 Long	F3 Trans	B	C	E	
G1MDA118AE	18	1.5	1200	900	5000	5	6	8	6.4
G1HDA318DE	18	2.0	2550	2000	10000	8			16.2

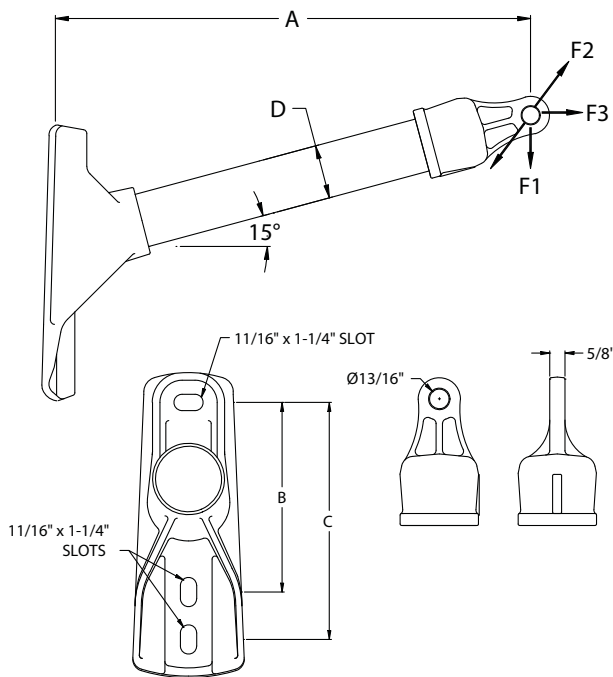
### Notes:

- 1) Lengths shown are considered standard; for other lengths, consult factory
- 2) Add "SC" for silicone coated rod (harsh environments)
- 3) For other options, thread sizes, and optional base and end fittings, reference Fiberglass Catalog Numbering System Matrix
- 4) For end fitting style "M", replace fitting specification "S" (e.g. G1MDR113AM1)





# Insulator Brackets



## Single Phase Suspension

### Features

- Accepts 5/8" mounting hardware
- Recessed cavity in base to allow double nutting for back to back mounting

### Material

Base: Aluminum A356-T6  
 End Fitting: Ductile iron hot dip galvanized ASTM A-153  
 Rod: Fiberglass gray ultraviolet (UV) protective coating

Catalog Number	Dimensions (In)		Min Ultimate Load (Lbs)			Bolt Spacing (In)		Weight (Lbs)
	A	D	F1 Vert	F2 Long	F3 Trans	B	C	
G1XAA124DE	24	2.5	4550	3600	10000	8	10	13.7
G1XAA136DE	36	2.5	2850	2400	10000	8	10	17.9

### Notes:

- 1) Lengths shown are considered standard; for other lengths, consult factory
- 2) Add "SC" for silicone coated rod (harsh environments)
- 3) For other options, thread sizes, and optional base and end fittings, reference Fiberglass Catalog Numbering System Matrix

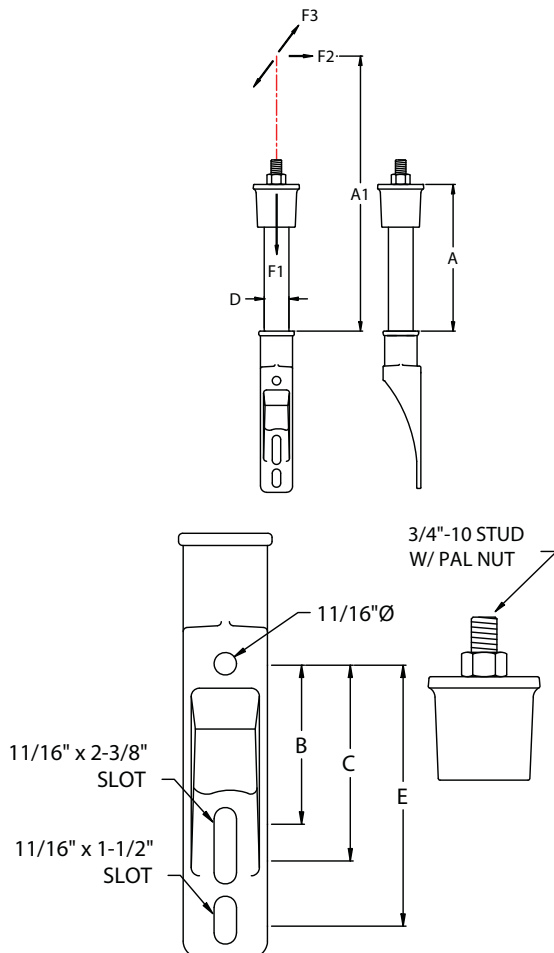
## Single Phase Vertical Line Post

### Features

- Accepts 5/8" mounting hardware
- Recessed cavity in base to allow double nutting for back to back mounting

### Material

Base: Ductile iron hot dip galvanized ASTM A-153  
 End Fitting: Aluminum A356-T6  
 Rod: Fiberglass gray ultraviolet (UV) protective coating



Catalog Number	Dimensions (In)			Min Ultimate Load (Lbs)			Bolt Spacing (In)			Weight (Lbs)
	A	A1	D	F1 Vert	F2 Long	F3 Trans	B	C	E	
G1HDR110AP	10	18.56	2.0	5000	2000	2000	5	6	8	9.5
G1HDR114AP	14	22.56	2.0	5000	2000	2000	5	6	8	10.4
G1HDR118AP	18	26.56	2.0	5000	1500	1500	5	6	8	11.3
G1HDR124AP	24	32.56	2.0	5000	1500	1500	5	6	8	12.6

### Notes:

- 1) Lengths shown are considered standard; for other lengths, consult factory
- 2) Add "SC" for silicone coated rod (harsh environments)
- 3) For other options, thread sizes, and optional base and end fittings, reference Fiberglass Catalog Numbering System Matrix