



Insulator Brackets

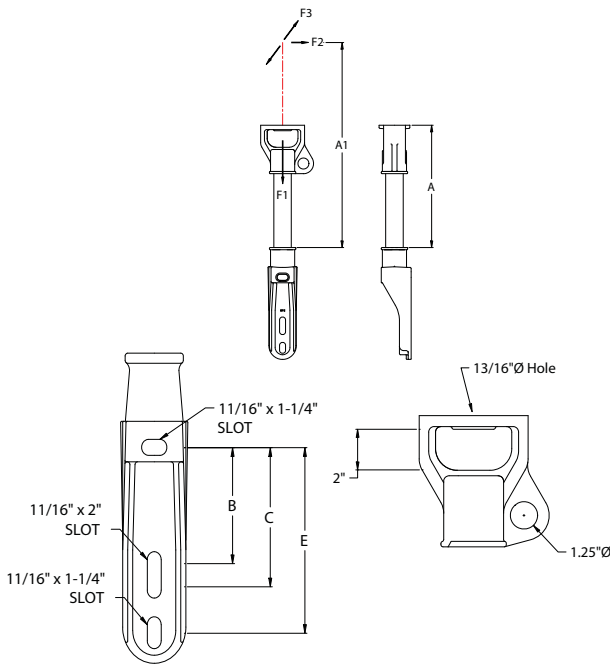
Single Phase Vertical Line Post

Features

- Accepts 5/8" mounting hardware
- Recessed cavity in base to allow double nutting for back to back mounting

Material

Base: Ductile iron hot dip galvanized ASTM A-153
 End Fitting: Aluminum A356-T6
 Rod: Fiberglass gray ultraviolet (UV) protective coating



Catalog Number	Dimensions (In)			Min Ultimate Load (Lbs)			Bolt Spacing (In)			Weight (Lbs)
	A	A1	D	F1 Vert	F2 Long	F3 Trans	B	C	E	
G1HAR110AH	10	19.38	2.0	5000	2000	2000	5	6	8	8.3
G1HAR114AH	14	23.38	2.0	5000	2000	2000	5	6	8	9.2
G1HAR118AH	18	27.38	2.0	5000	1500	1500	5	6	8	10.0
G1HAR124AH	24	33.38	2.0	5000	1500	1500	5	6	8	11.4

Notes:

- 1) Lengths shown are considered standard; for other lengths, consult factory
- 2) Add "SC" for silicone coated rod (harsh environments)
- 3) For other options, thread sizes, and optional base and end fittings, reference Fiberglass Catalog Numbering System Matrix

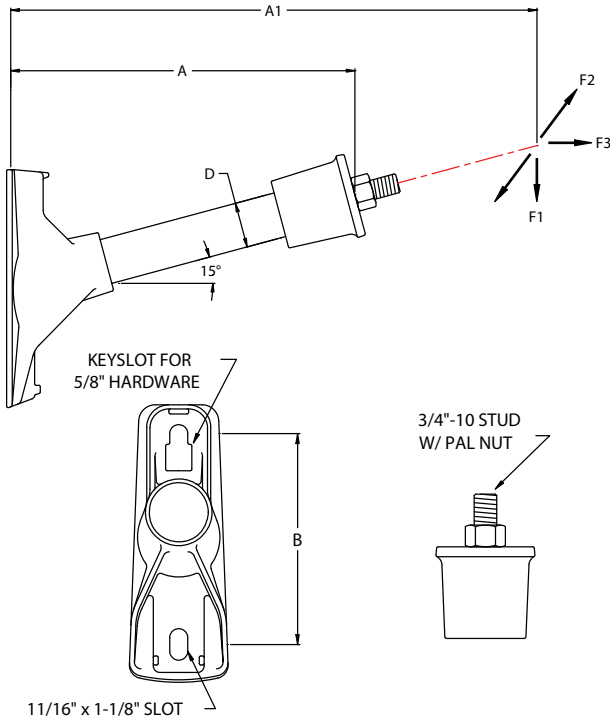
Two Phase Horizontal Line Post

Features

- Accepts 5/8" mounting hardware
- Cleats to prevent bracket rotation on wood poles
- Recessed cavity in base to allow double nutting for back to back mounting

Material

Base: Ductile iron hot dip galvanized ASTM A153
 End Fitting: Aluminum A356-T6
 Rod: Fiberglass MPS gray ultraviolet (UV) protective coating



Catalog Number	Dimensions (In)			Min Ultimate Load (Lbs)			Bolt Spacing (In)		Weight (Lbs)
	A	A1	D	F1 Vert	F2 Long	F3 Trans	B	C	
G2HDA234AP	34	52.25	2.0	1800	1600	2500	5	8	18.1
G2HDA253AP	53	71.25	2.0	1300	1100	2500	5	8	22.6

Notes:

- 1) Lengths shown are considered standard; for other lengths, consult factory
- 2) Add "SC" for silicone coated rod (harsh environments)
- 3) For other options, thread sizes, and optional base and end fittings, reference Fiberglass Catalog Numbering System Matrix