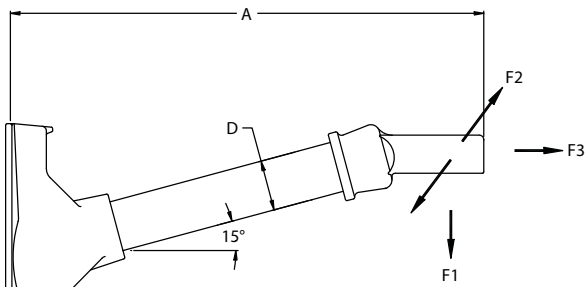




# Messenger Brackets and Sidewalk Guys



## Single Phase

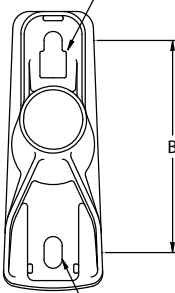
### Features

- Accepts 5/8" mounting hardware
- Tab retainers for banding provisions
- Recessed cavity in base to allow double nutting for back to back mounting
- Keyhole for installation ease on top bolt

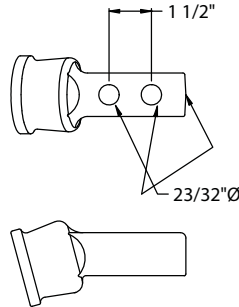
### Material

Base: Ductile iron hot dip galvanized ASTM A-153  
 End Fitting: Ductile iron hot dip galvanized ASTM A-153  
 Rod: Fiberglass gray ultraviolet (UV) protective coating

KEYSLOT FOR 5/8" HARDWARE



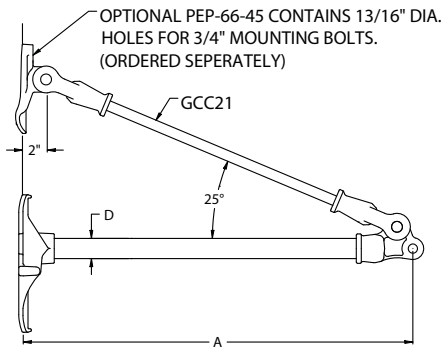
11/16" x 1-1/8" SLOT



Catalog Number	Dimensions (In)		Min Ultimate Load (Lbs)			Bolt Spacing (In)			Weight (Lbs)
	A	D	F1 Vert	F2 Long	F3 Trans	B	C	E	
G1HDA324DB	24	2.0	2100	1850	10000	5	6	8	13.3

### Notes:

- 1) Lengths shown are considered standard; for other lengths, consult factory
- 2) Add "SC" for silicone coated rod (harsh environments)
- 3) For other options, thread sizes, and optional base and end fittings, reference Fiberglass Catalog Numbering System Matrix



## Sidewalk Guys

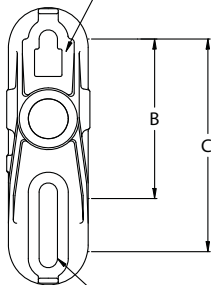
### Features

- Accepts 5/8" mounting hardware
- Tab retainers for banding provisions
- Keyhole for ease of installation on top bolt

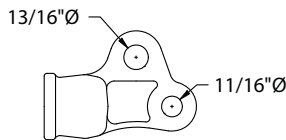
### Material

Base: Ductile iron hot dip galvanized ASTM A-153  
 End Fitting: Aluminum A356-T6  
 Rod: Fiberglass gray ultraviolet (UV) protective coating

KEYSLOT FOR 5/8" HARDWARE



11/16" x 3-3/16" SLOT



Catalog Number	Dimensions (In)		Min Ultimate Load (Lbs)			Bolt Spacing (In)		Weight (Lbs)
	A	D	F1 Vert	F2 Long	F3 Trans	B	C	
GSWG24M2E5	24	1.5	10000			6	8	10.3

### Notes:

- 1) Lengths shown are considered standard; for other lengths, consult factory
- 2) Add "SC" for silicone coated rod (harsh environments)
- 3) For other options, thread sizes, and optional base and end fittings, reference Fiberglass Catalog Numbering System Matrix