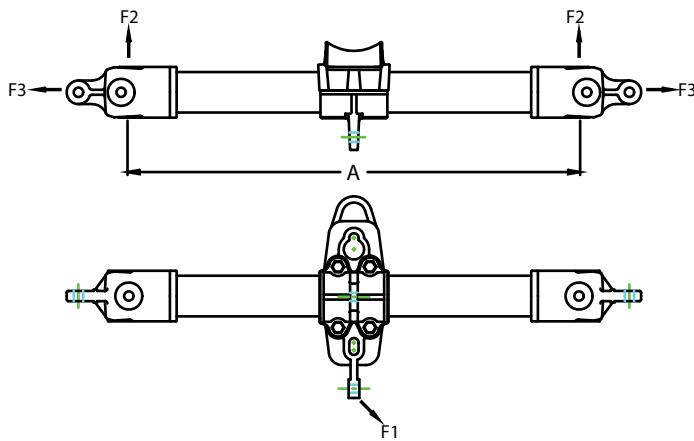




# Round Deadend Crossarms



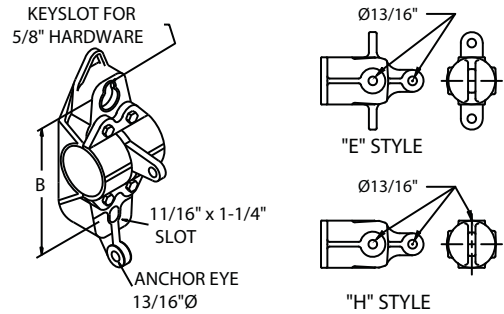
## Round Deadend Crossarm

### Features

- Accepts 5/8" mounting hardware
- Recessed cavity in base to allow double nutting for back to back mounting
- Keyhole for installation ease on top bolt

### Material

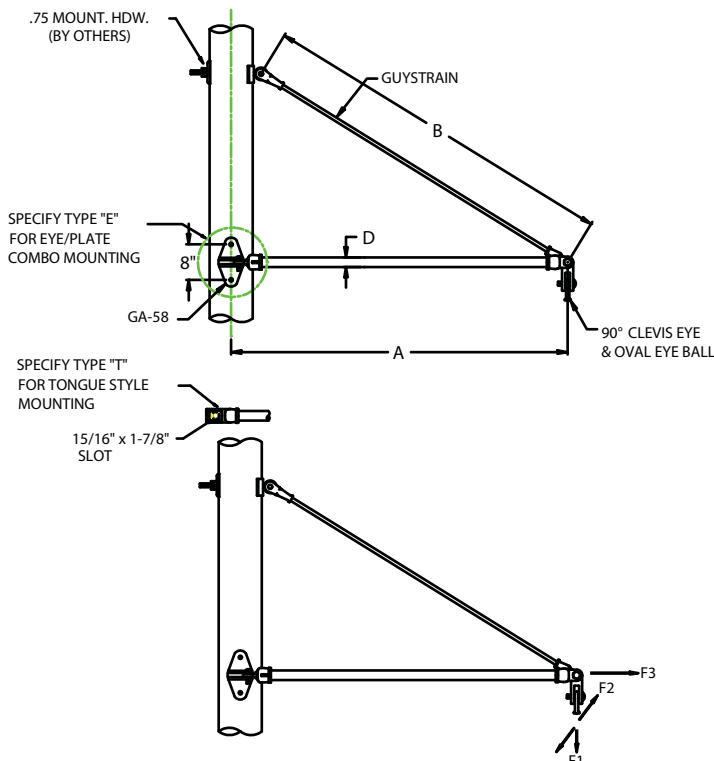
Base: Ductile iron, hot dip galvanized ASTM A-153  
 End Fitting: Aluminum A356-T6  
 Rod: Fiberglass, gray ultraviolet (UV) protective coating



Catalog Number	Dimensions (In)		Min. Ultimate Load (lbs)			Bolt Spacing B	Rod or Tube	Weight Ea (Lbs)
	A	D	F2 Long	F3 Trans	F1 Anchoring Eye			
GDAS36H	36	3.0	12000	10000	25000	8	Rod	34.1
GDAS42H	42	3.0	10000	10000	25000	8	Rod	37.3
GDAS48H	48	3.0	9500	10000	25000	8	Rod	40.4
GDAS54H	54	3.0	9000	10000	25000	8	Rod	43.6
GDAS60H	60	3.0	8500	10000	25000	8	Rod	46.7

### Notes:

- 1) Lengths shown are considered standard; for other lengths, consult factory
- 2) For end fitting with side eyes, replace suffix "H" with "E"
- 3) Add "SC" for silicone coated rod (harsh environments)
- 4) For other options, thread sizes and optional bases and end fitting, reference Fiberglass Catalog Numbering System Matrix



## Transmission Crossarm Assembly

### Features

- Accepts 3/4" mounting hardware

### Material

Base: Ductile iron hot dip galvanized ASTM A-153  
 End Fitting: Ductile iron, hot dip galvanized  
 Rod: Fiberglass, gray ultraviolet (UV) protective coating

Catalog Number	Dimensions (In)			Min. Ultimate Load (lbs)			Weight Ea (Lbs)
	A	B	D	F2 Vert	F2 Long	F3 Trans	
GTA36MT	36	35	1.5	-	-	-	21.0
GTA48MT	48	49	1.5	5000	1700	10000	24.5
GTA72HE	72	76 3/4	2.0	5000	1200	10000	54.3
GTA84HE	84	90 5/8	2.0	7500	1000	10000	60.1
GTA96HE	96	103	2.0	5000	900	10000	66.5
GTA120HE	120	131	2.0	5000	800	10000	78.1
GTA72XE	72	76 3/4	2.5	5000	600	10000	72.2
GTA84XE	84	90 5/8	2.5	8000	900	10000	80.4
GTA96XE	96	103	2.5	7500	800	10000	91.3
GTA120XE	120	131	2.5	7500	700	10000	106.9

### Notes:

- 1) Lengths shown are considered standard; for other lengths, consult factory
- 2) Add "SC" for silicone coated rod (harsh environments)
- 3) For other options, thread sizes and optional bases and end fitting, reference Fiberglass Catalog Numbering System Matrix