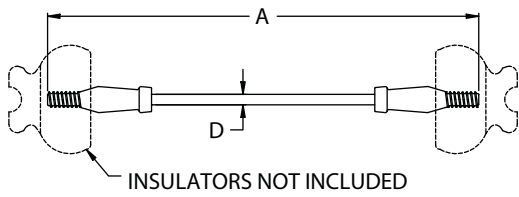
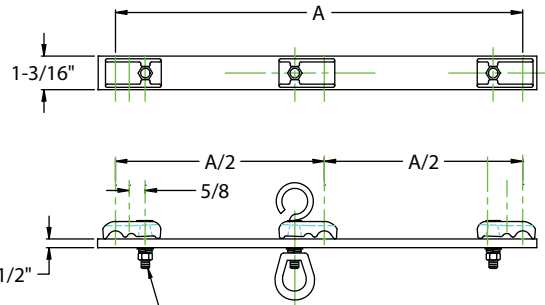




Spacers, Sectionalizers, and Crossarm Braces

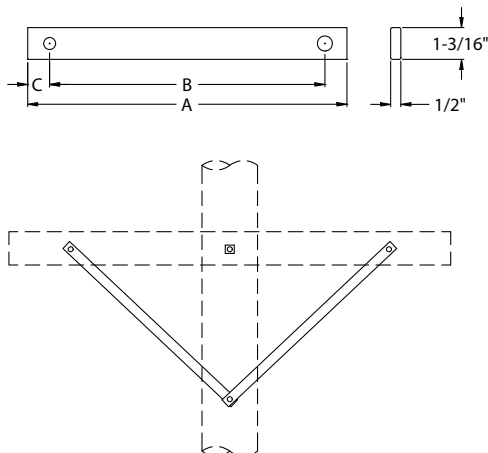
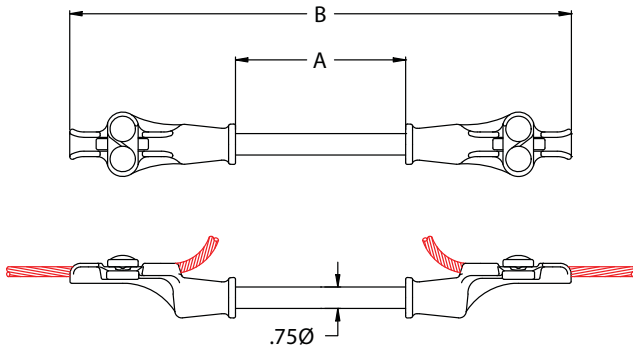


GCS8



GSS

5/16" BOLTS WITH FLAT & LOCKWASHER FURNISHED



Spacers

Material

End Fitting:

Aluminum A356-T6 with PVC coating

Rod:

Fiberglass gray ultraviolet (UV) protective coating

Catalog Number	Dimensions (In)		Weight (Lbs)
	A	D	
GCS8-13	13	3/4	1.1
GCS8-24	24	3/4	1.4
GCS8-36	36	3/4	1.6
GCS8-48	48	3/4	1.8
GSS-13	13		3.1
GSS-24	24		3.6
GSS-36	36		4.1
GSS-48	48		4.6

Notes:

- 1) Lengths shown are considered standard; for other lengths, consult factory
- 2) Add "SC" for silicone coated rod (harsh environments) - GCS8 type only

Sectionalizers

Features

- Used to split a secondary conductor
- Swing-away keeper for easy installation
- All captive parts

Material

End Fitting:

Ductile iron hot dip galvanized ASTM A-153

Hardware:

Steel hot dip galvanized ASTM A-153

Rod:

Fiberglass gray ultraviolet (UV) protective coating

Catalog Number	Dimensions (In)		Cable Range	Min Ultimate Load (Lbs)	Weight (Lbs)
	A	B			
GSP-51-6F	6	16.5	.14 - .502	6000	3.5

Notes:

- 1) Lengths shown are considered standard; for other lengths, consult factory
- 2) Add "SC" for silicone coated rod (harsh environments)
- 3) For other options, thread sizes, and optional base and end fittings, reference Fiberglass Catalog Numbering System Matrix

Crossarm Braces

Material

Rod:

Fiberglass gray ultraviolet (UV) protective coating

Catalog Number	Dimensions (In)			Weight (Lbs)
	A	B	C	
CRB28	28	26	1.0	1.1
CRB29	29	28	1.5	1.2

Notes:

- 1) Lengths shown are considered standard; for other lengths, consult factory