



Download Brackets

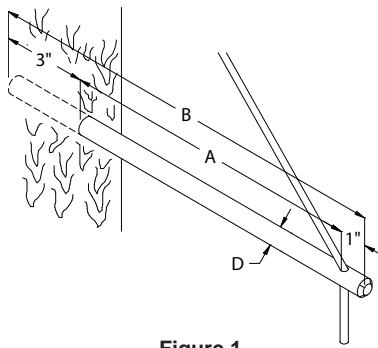


Figure 1

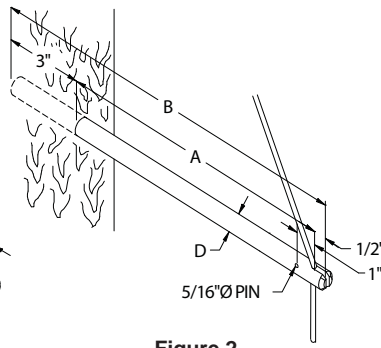


Figure 2

Material

Base: Ductile iron hot dip galvanized ASTM A-153
 End Fitting: Ductile iron hot dip galvanized ASTM A-153
 Hardware: Steel hot dip galvanized ASTM A-153
 Rod: Fiberglass gray ultraviolet (UV) protective coating

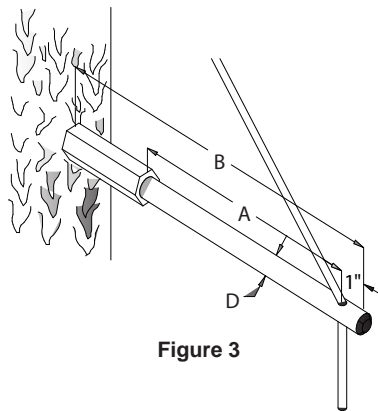


Figure 3

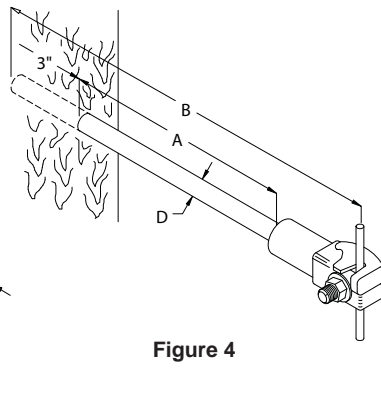


Figure 4

Catalog Number	Fig	Max Wire (In)	Dimensions (In)			Weight (Lbs)
			A	B	D	
DL12	1	1/4	12	16	3/4	0.6
DL18	1	1/4	18	22	3/4	0.8
DL24	1	1/4	24	28	3/4	1.0
DLS12	2	1/4	12	15 1/2	3/4	0.6
DLS18	2	1/4	18	21 1/2	3/4	0.8
DLS24	2	1/4	24	27 1/2	3/4	1.0
DLH125	3	1/4	12	16 1/4	5/8	0.8
DLH185	3	1/4	18	22 1/4	5/8	1.0
DLH245	3	1/4	24	28 1/4	3/4	1.4
DLH365	3	1/4	36	40 1/4	3/4	1.8

Notes:

1) Lengths shown are considered standard; for other lengths, consult factory

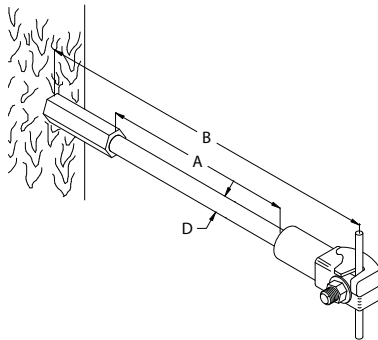


Figure 5

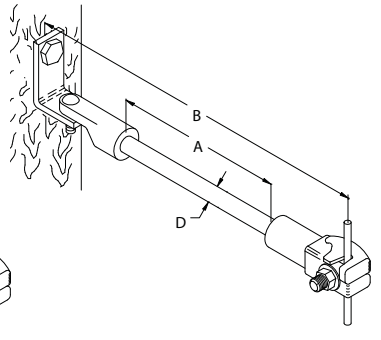


Figure 6

Catalog Number	Fig	Wire Range (In)	Dimensions (In)			Weight (Lbs)
			A	B	D	
DLC24	4	.125 - .398	24	30 1/4	3/4	2.0
DLC36	4	.125 - .398	36	42 1/4	3/4	2.6
DLB125	5	.125 - .398	12	18 1/2	5/8	1.8
DLB185	5	.125 - .398	18	24 1/2	5/8	2.0
DLB245	5	.125 - .398	24	30 1/2	3/4	2.4
DLB365	5	.125 - .398	36	42 1/2	3/4	2.8
DLBA12	6	.125 - .398	12	19 1/4	3/4	2.6
DLBA18	6	.125 - .398	18	25 1/4	3/4	2.8
DLBA24	6	.125 - .398	24	31 1/4	3/4	3.2
DLBB12	7	.125 - .398	12	16 1/2	5/8	1.7
DLBB18	7	.125 - .398	18	22 1/2	5/8	1.9
DLBB24	7	.125 - .398	24	28 1/2	3/4	2.3
DLBBJ12	8	.125 - .398	12	15 1/4	5/8	1.6
DLBBJ18	8	.125 - .398	18	21 1/4	5/8	1.8
DLBBJ24	8	.125 - .398	24	27 1/4	3/4	2.2

Notes:

1) Lengths shown are considered standard; for other lengths, consult factory

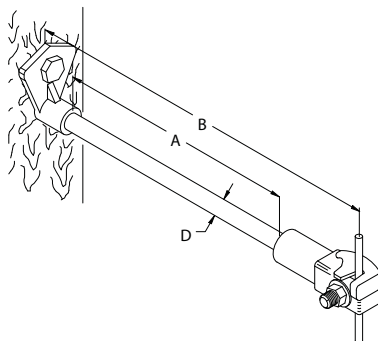


Figure 7

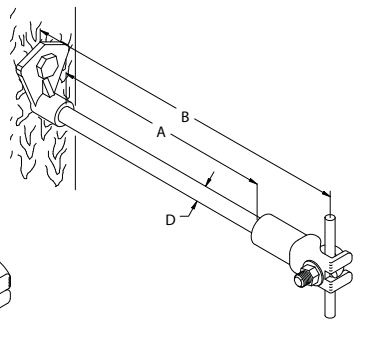


Figure 8