



# Equipment Brackets

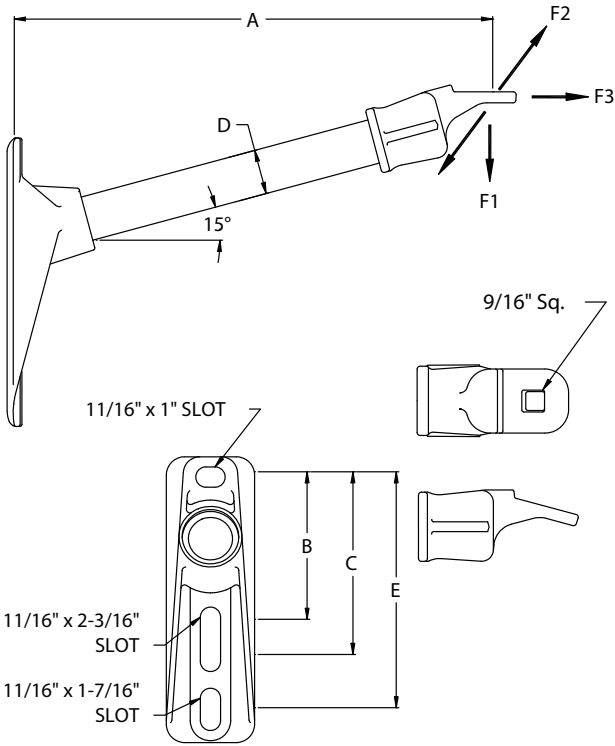
## Single Phase Single Position

### Features

- Accepts 5/8" mounting hardware
- Cleats to prevent bracket rotation on wood poles

### Material

Base: Ductile iron hot dip galvanized ASTM A-153  
 End Fitting: Ductile iron hot dip galvanized ASTM A-153  
 Rod: Fiberglass gray ultraviolet (UV) protective coating



Catalog Number	Dimensions (In)		Min Ultimate Load (Lbs)			Bolt Spacing (In)			Weight (Lbs)
	A	D	F1 Vert	F2 Long	F3 Trans	B	C	E	
G1MDA112DC	12	1.5	1800	1400	1500	5	6	8	6.8
G1MDA115DC	15	1.5	1500	1150	1500	5	6	8	7.2
G1MDA118DC	18	1.5	1200	900	1500	5	6	8	7.6
G1MDA124DC	24	1.5	900	700	1500	5	6	8	8.4

### Notes:

- 1) Lengths shown are considered standard; for other lengths, consult factory
- 2) Add "SC" for silicone coated rod (harsh environments)
- 3) Add "B" for standard hardware (1/2" x 2" carriage bolt; 1/2" hex nut; 1/2" lock washer)
- 4) For other options, thread sizes, and optional base and end fittings, reference Fiberglass Catalog Numbering System Matrix

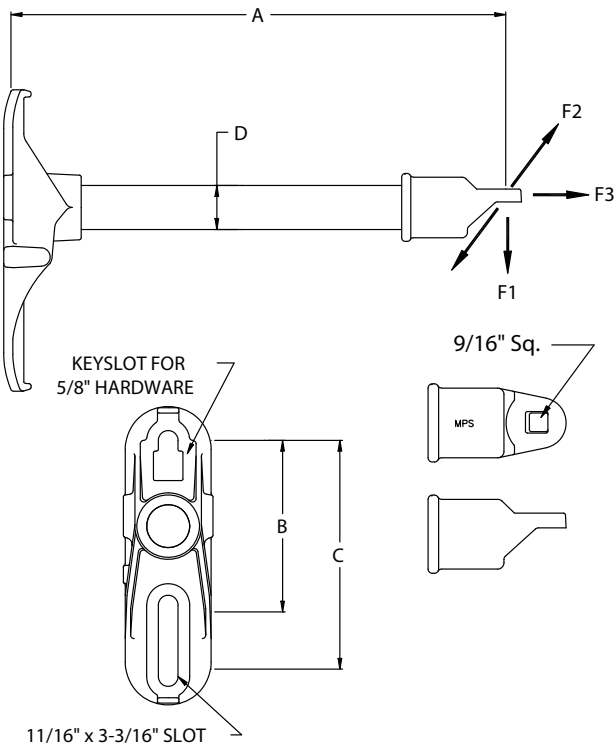
## Single Phase Single Position

### Features

- Accepts 5/8" mounting hardware
- Tab retainers for banding provisions
- Keyhole of installation ease on top bolt

### Material

Base: Aluminum A356-T6  
 End Fitting: Ductile iron hot dip galvanized ASTM A-153  
 Rod: Fiberglass gray ultraviolet (UV) protective coating



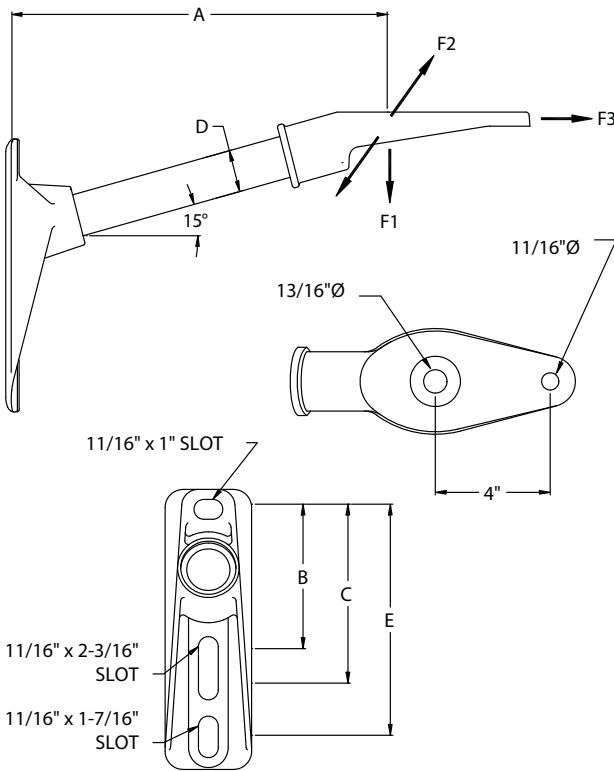
Catalog Number	Dimensions (In)		Min Ultimate Load (Lbs)			Bolt Spacing (In)		Weight (Lbs)
	A	D	F1 Vert	F2 Long	F3 Trans	B	C	
G1MA0112DC	12	1.5	1800	1500	1500	6	8	3.4
G1MA0115DC	15	1.5	1500	1350	1500	6	8	3.7
G1MA0118DC	18	1.5	1200	1150	1500	6	8	4.1

### Notes:

- 1) Lengths shown are considered standard; for other lengths, consult factory
- 2) Add "SC" for silicone coated rod (harsh environments)
- 3) Add "B" for standard hardware (1/2" x 2" carriage bolt; 1/2" hex nut; 1/2" lock washer)
- 4) For other options, thread sizes, and optional base and end fittings, reference Fiberglass Catalog Numbering System Matrix



# Equipment Brackets



## Single Phase Single Position

### Features

- Accepts 5/8" mounting hardware
- Cleats to prevent bracket rotation on wood poles

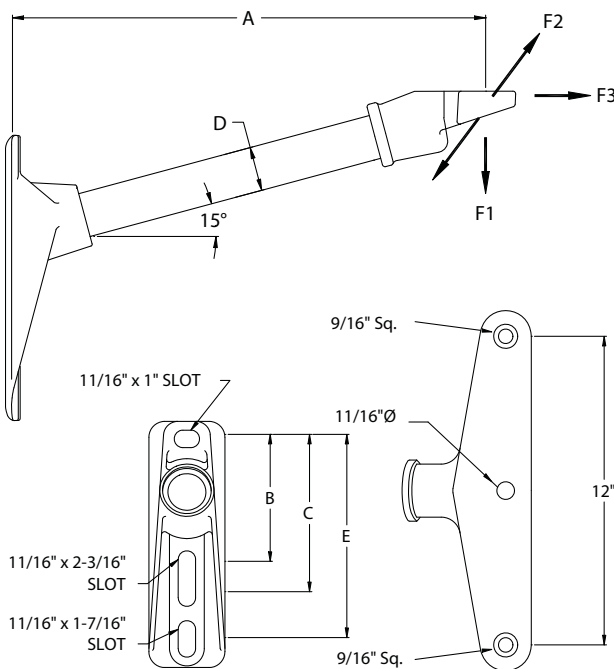
### Material

Base: Ductile iron hot dip galvanized ASTM A-153  
 End Fitting: Aluminum A356-T6  
 Rod: Fiberglass gray ultraviolet (UV) protective coating

Catalog Number	Dimensions (In)		Min Ultimate Load (Lbs)			Bolt Spacing (In)			Weight (Lbs)
	A	D	F1 Vert	F2 Long	F3 Trans	B	C	E	
G1MDA118AA	18	1.5	1200	900	10000	5	6	8	7.0
G1MDA121AA	21	1.5	1050	800	10000	5	6	8	7.4
G1MDA124AA	24	1.5	900	700	10000	5	6	8	7.8

### Notes:

- 1) Lengths shown are considered standard; for other lengths, consult factory
- 2) Add "SC" for silicone coated rod (harsh environments)
- 3) Add "B" for standard hardware (1/2" x 2" carriage bolt; 1/2" hex nut; 1/2" lock washer)
- 4) For other options, thread sizes, and optional base and end fittings, reference Fiberglass Catalog Numbering System Matrix



## Single Phase Double Position

### Features

- Accepts 5/8" mounting hardware
- Cleats to prevent bracket rotation on wood poles (1.5" only)
- Recessed cavity in base to allow double nutting for back to back mounting (2" only)

### Material

Base: Ductile iron hot dip galvanized ASTM A-153  
 End Fitting: Aluminum A356-T6  
 Rod: Fiberglass gray ultraviolet (UV) protective coating

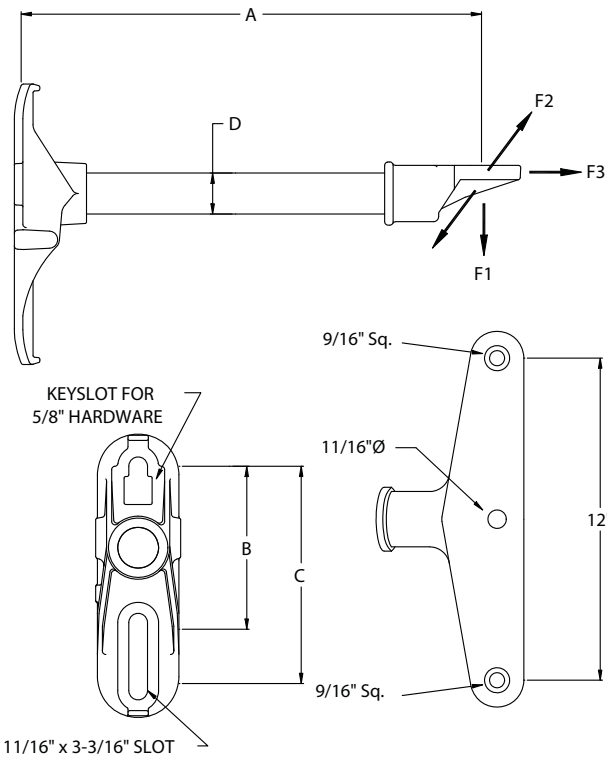
Catalog Number	Dimensions (In)		Min Ultimate Load (Lbs)			Bolt Spacing (In)			Weight (Lbs)
	A	D	F1 Vert	F2 Long	F3 Trans	B	C	E	
G1MDA112AD	12	1.5	1800	1400	10000	5	6	8	6.8
G1MDA115AD	15	1.5	1500	1150	10000	5	6	8	7.2
G1MDA118AD	18	1.5	1200	900	10000	5	6	8	7.6
G1MDA124AD	24	1.5	900	700	10000	5	6	8	8.4
G1HDA118AD	18	2.0	2250	1500	10000	8			11.9
G1HDA124AD	24	2.0	1750	1100	10000	8			13.3

### Notes:

- 1) Lengths shown are considered standard; for other lengths, consult factory
- 2) Add "SC" for silicone coated rod (harsh environments)
- 3) Add "B" for standard hardware (1/2" x 2" carriage bolt; 1/2" hex nut; 1/2" lock washer)
- 4) For other options, thread sizes, and optional base and end fittings, reference Fiberglass Catalog Numbering System Matrix



# Equipment Brackets



## Single Phase Double Position

### Features

- Accepts 5/8" mounting hardware
- Tab retainers for banding provisions
- Keyhole for installation ease on top bolt

### Material

Base: Aluminum A356-T6  
 End Fitting: Ductile iron hot dip galvanized ASTM A-153  
 Rod: Fiberglass gray ultraviolet (UV) protective coating

Catalog Number	Dimensions (In)		Min Ultimate Load (Lbs)			Bolt Spacing (In)		Weight (Lbs)
	A	D	F1 Vert	F2 Long	F3 Trans	B	C	
G1MA0112DD	12	1.5	1800	1400	10000	6	8	4.5
G1MA0115DD	15	1.5	1500	1150	10000	6	8	4.9
G1MA0118DD	18	1.5	1200	900	10000	6	8	5.3
G1MA0124DD	24	1.5	900	700	10000	6	8	6.0

### Notes:

- 1) Lengths shown are considered standard; for other lengths, consult factory
- 2) Add "SC" for silicone coated rod (harsh environments)
- 3) Add "B" for standard hardware (1/2" x 2" carriage bolt; 1/2" hex nut; 1/2" lock washer)
- 4) For other options, thread sizes, and optional base and end fittings, reference Fiberglass Catalog Numbering System Matrix

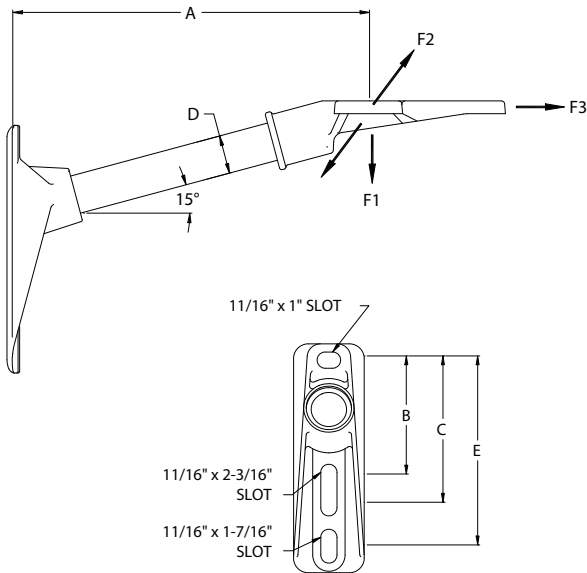
## Single Phase Triple Position

### Features

- Accepts 5/8" mounting hardware
- Cleats to prevent bucket rotation on wood poles (1.5" only)
- Tab retainers for banding provisions (2" only)
- Recessed cavity in base to allow double nutting for back to back mounting (2" only)

### Material

Base: Ductile iron hot dip galvanized ASTM A-153  
 End Fitting: Aluminum A356-T6  
 Rod: Fiberglass gray ultraviolet (UV) protective coating

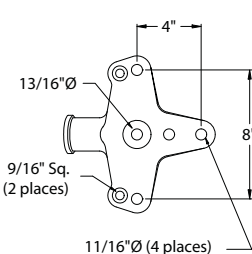


Catalog Number	Dimensions (In)		Min Ultimate Load (Lbs)			Bolt Spacing (In)			Weight (Lbs)
	A	D	F1 Vert	F2 Long	F3 Trans	B	C	E	
G1MDA112AT	12	1.5	1800	1400	10000	5	6	8	6.9
G1MDA118AT	18	1.5	1200	900	10000	5	6	8	7.6
G1MDA124AT	24	1.5	900	700	10000	5	6	8	8.4
G1HDA512AT	12	2.0	3000	1800	10000	8	10		12.2
G1HDA518AT	18	2.0	2250	1500	10000	8	10		13.6
G1HDA524AT	24	2.0	1750	1100	10000	8	10		15.0

### Notes:

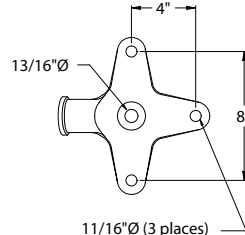
- 1) Lengths shown are considered standard; for other lengths, consult factory
- 2) Add "SC" for silicone coated rod (harsh environments)
- 3) Add "B" for standard hardware (1/2" x 2" carriage bolt; 1/2" hex nut; 1/2" lock washer)
- 4) For other options, thread sizes, and optional base and end fittings, reference Fiberglass Catalog Numbering System Matrix
- 5) For end fitting style "G", replace fitting specification "T" (e.g. G1MDA112AG) - available for 1.5" diameter only

### STYLE - T



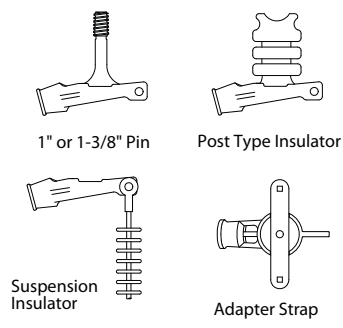
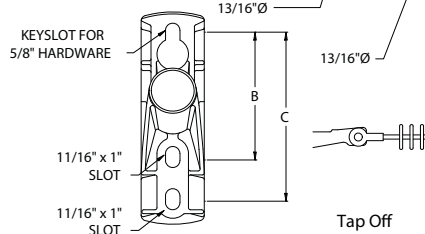
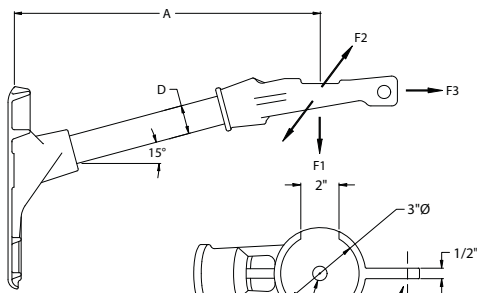
### STYLE - G

SEE NOTE 5.





# Equipment Brackets



## Single Phase Universal

### Features

- Accepts 5/8" mounting hardware
- Cleats to prevent bracket rotation on wood poles

### Material

Base: Ductile iron hot dip galvanized ASTM A-153  
 End Fitting: Aluminum A356-T6  
 Rod: Fiberglass gray ultraviolet (UV) protective coating

Catalog Number	Dimensions (In)		Min Ultimate Load (Lbs)			Bolt Spacing (In)		Weight (Lbs)
	A	D	F1 Vert	F2 Long	F3 Trans	B	C	
G1MAA312AU	12	1.5	1800	1400	10000	6	8	6.9
G1MAA318AU	18	1.5	1200	900	10000	6	8	7.6
G1MAA324AU	24	1.5	900	700	10000	6	8	8.4
G1HAA312AU	12	2.0	3000	1800	10000	8		12.2
G1HAA318AU	18	2.0	2250	1500	10000	8		13.6
G1HAA324AU	24	2.0	1750	1100	10000	8		15.0

### Notes:

- 1) Lengths shown are considered standard; for other lengths, consult factory
- 2) Add "SC" for silicone coated rod (harsh environments)
- 3) Add "B" for standard hardware (1/2" x 2" carriage bolt; 1/2" hex nut; 1/2" lock washer)
- 4) For other options, thread sizes, and optional base and end fittings, reference Fiberglass Catalog Numbering System Matrix

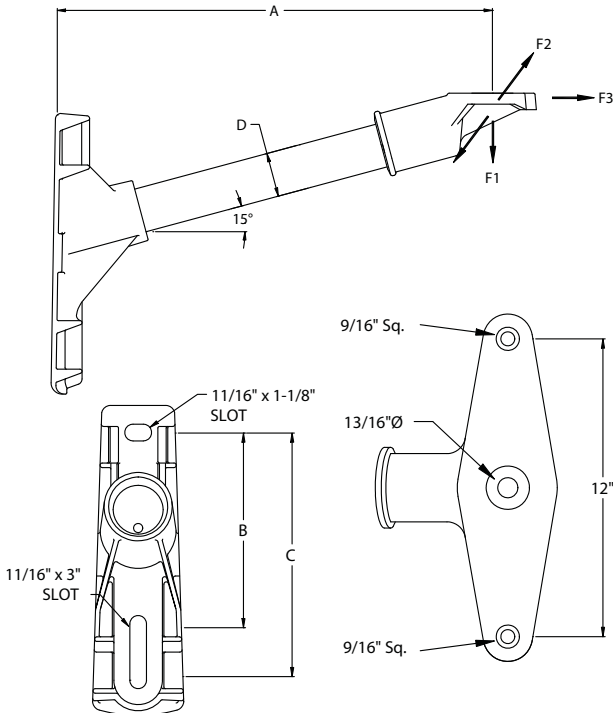
## Single Phase SCADA

### Features

- Accepts 5/8" mounting hardware
- Tab retainers for banding provisions
- Recessed cavity in base to allow double nutting for back to back mounting

### Material

Base: Aluminum A356-T6  
 End Fitting: Aluminum A356-T6  
 Rod: Fiberglass gray ultraviolet (UV) protective coating



Catalog Number	Dimensions (In)		Min Ultimate Load (Lbs)			Bolt Spacing (In)		Weight (Lbs)
	A	D	F1 Vert	F2 Long	F3 Trans	B	C	
G1HAA526AKC1	26	2.0	2500	1650	10000	8	10	12.3

### Notes:

- 1) Lengths shown are considered standard; for other lengths, consult factory
- 2) Add "SC" for silicone coated rod (harsh environments)
- 3) For other options, thread sizes, and optional base and end fittings, reference Fiberglass Catalog Numbering System Matrix



# Equipment Brackets

## Two Phase Single Position

### Features

- Accepts 5/8" mounting hardware
- Recessed cavity in base to allow double nutting for back to back mounting

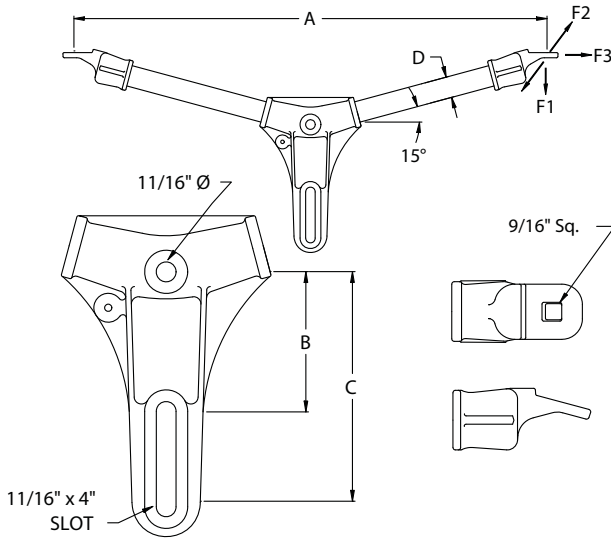
### Material

Base: Ductile iron hot dip galvanized ASTM A-153  
 End Fitting: Ductile iron hot dip galvanized ASTM A-153  
 Rod: Fiberglass gray ultraviolet (UV) protective coating

Catalog Number	Dimensions (In)		Min Ultimate Load (Lbs)			Bolt Spacing (In)		Weight (Lbs)
	A	D	F1 Vert	F2 Long	F3 Trans	B	C	
G2MDA136DC	36	1.5	1200	1200	1500	5	8	12.7

### Notes:

- 1) Lengths shown are considered standard; for other lengths, consult factory
- 2) Add "SC" for silicone coated rod (harsh environments)
- 3) Add "B" for standard hardware (1/2" x 2" carriage bolt; 1/2" hex nut; 1/2" lock washer)
- 4) For other options, thread sizes, and optional base and end fittings, reference Fiberglass Catalog Numbering System Matrix



## Two Phase Single Position

### Features

- Accepts 5/8" mounting hardware
- Recessed cavity in base to allow double nutting for back to back mounting

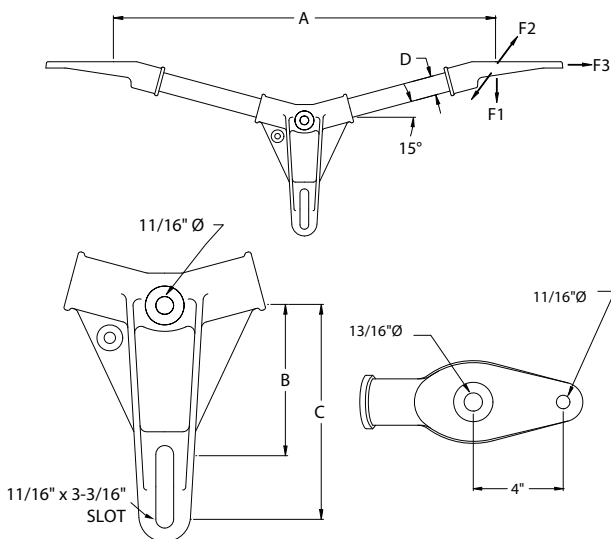
### Material

Base: Aluminum A356-T6  
 End Fitting: Aluminum A356-T6  
 Rod: Fiberglass gray ultraviolet (UV) protective coating

Catalog Number	Dimensions (In)		Min Ultimate Load (Lbs)			Bolt Spacing (In)		Weight (Lbs)
	A	D	F1 Vert	F2 Long	F3 Trans	B	C	
G2MAA136AA	36	1.5	1200	900	10000	6	8	9.0

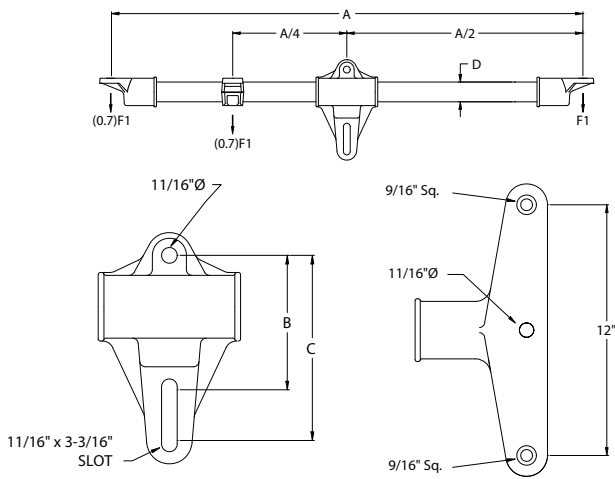
### Notes:

- 1) Lengths shown are considered standard; for other lengths, consult factory
- 2) Add "SC" for silicone coated rod (harsh environments)
- 3) Add "B" for standard hardware (1/2" x 2" carriage bolt; 1/2" hex nut; 1/2" lock washer)
- 4) For other options, thread sizes, and optional base and end fittings, reference Fiberglass Catalog Numbering System Matrix





# Equipment Brackets



## Two Phase Double Position

### Features

- Accepts 5/8" mounting hardware

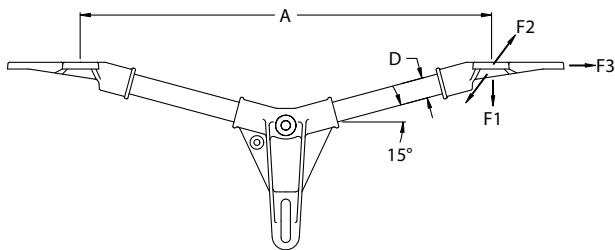
### Material

Base: Aluminum A356-T6  
 End Fitting: Ductile iron hot dip galvanized ASTM A-153  
 Rod: Fiberglass gray ultraviolet (UV) protective coating

Catalog Number	Dimensions (In)		Min Ultimate Load (Lbs)			Bolt Spacing (In)		Weight (Lbs)
	A	D	F1 Vert	F2 Long	F3 Trans	B	C	
G2HA0160AD	60	2.0	1300			6	8	20.2
G2HA0172AD	72	2.0	1100			6	8	22.9

### Notes:

- 1) Lengths shown are considered standard; for other lengths, consult factory
- 2) Add "SC" for silicone coated rod (harsh environments)
- 3) Add "B" for standard hardware (1/2" x 2" carriage bolt; 1/2" hex nut; 1/2" lock washer)
- 4) For other options, thread sizes, and optional base and end fittings, reference Fiberglass Catalog Numbering System Matrix



## Two Phase Triple Position

### Features

- Accepts 5/8" mounting hardware
- Recessed cavity in base to allow double nutting for back to back mounting

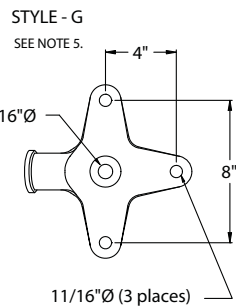
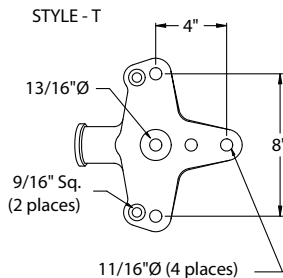
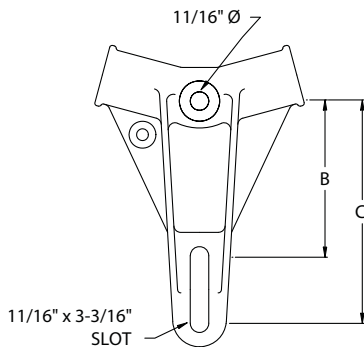
### Material

Base: Aluminum A356-T6  
 End Fitting: Aluminum A356-T6  
 Rod: Fiberglass gray ultraviolet (UV) protective coating

Catalog Number	Dimensions (In)		Min Ultimate Load (Lbs)			Bolt Spacing (In)		Weight (Lbs)
	A	D	F1 Vert	F2 Long	F3 Trans	B	C	
G2MAA148AT	48	1.5	900	700	10000	6	8	11.7
G2HAA348AT	48	2.0	1650	1100	10000	8	10	18.7

### Notes:

- 1) Lengths shown are considered standard; for other lengths, consult factory
- 2) Add "SC" for silicone coated rod (harsh environments)
- 3) Add "B" for standard hardware (1/2" x 2" carriage bolt; 1/2" hex nut; 1/2" lock washer)
- 4) For other options, thread sizes, and optional base and end fittings, reference Fiberglass Catalog Numbering System Matrix
- 5) For end fitting style "G", replace fitting specification "T" (e.g. G2MAA148AG) - available for 1.5" diameter only





# Equipment Brackets

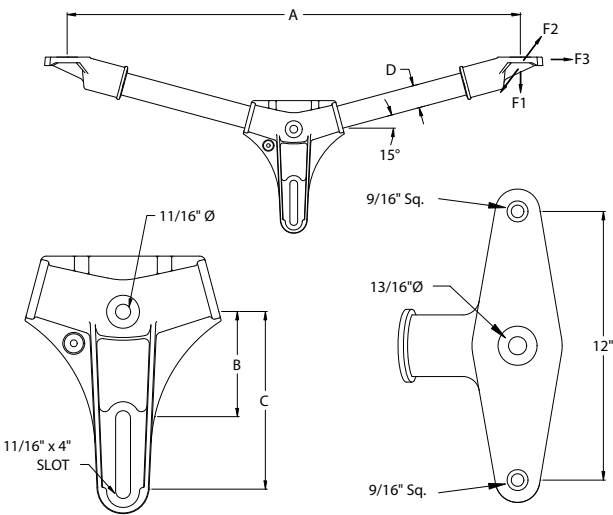
## Two Phase SCADA

### Features

- Accepts 5/8" mounting hardware
- Recessed cavity in base to allow double nutting for back to back mounting

### Material

Base: Aluminum A356-T6  
 End Fitting: Aluminum A356-T6  
 Rod: Fiberglass gray ultraviolet (UV) protective coating



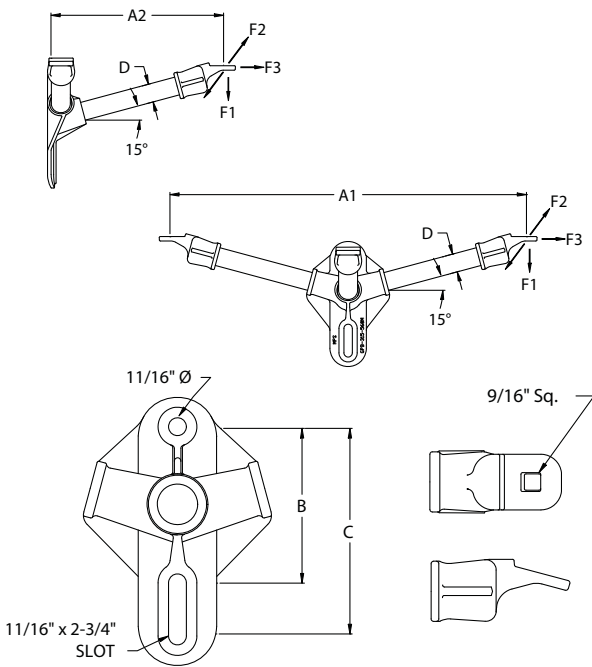
Catalog Number	Dimensions (In)		Min Ultimate Load (Lbs)			Bolt Spacing (In)		Weight (Lbs)
	A	D	F1 Vert	F2 Long	F3 Trans	B	C	
G2HAA160AKC1	60	2.0	2400	1600	10000	6	8	23.4

### Notes:

- 1) Lengths shown are considered standard; for other lengths, consult factory
- 2) Add "SC" for silicone coated rod (harsh environments)
- 3) For other options, thread sizes, and optional base and end fittings, reference Fiberglass Catalog Numbering System Matrix



# Equipment Brackets



## Three Phase Single Position

### Features

- Accepts 5/8" mounting hardware

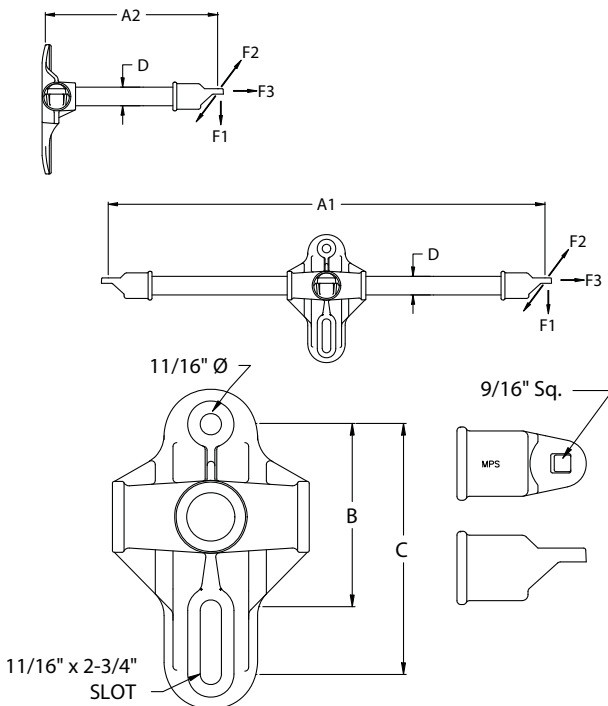
### Material

Base: Aluminum A356-T6  
 End Fitting: Ductile iron hot dip galvanized ASTM A-153  
 Rod: Fiberglass gray ultraviolet (UV) protective coating

Catalog Number	Dimensions (In)			Min Ultimate Load (Lbs)			Bolt Spacing (In)		Weight (Lbs)
	A1	A2	D	F1 Vert	F2 Long	F3 Trans	B	C	
G3MAA13613DC	36	13	1.5	1200	900	1500	6	8	13.2
G3MAA14813DC	48	13	1.5	900	700	1500	6	8	14.7

### Notes:

- 1) Lengths shown are considered standard; for other lengths, consult factory
- 2) Add "SC" for silicone coated rod (harsh environments)
- 3) Add "B" for standard hardware (1/2" x 2" carriage bolt; 1/2" hex nut; 1/2" lock washer)
- 4) For other options, thread sizes, and optional base and end fittings, reference Fiberglass Catalog Numbering System Matrix



## Three Phase Single Position

### Features

- Accepts 5/8" mounting hardware

### Material

Base: Aluminum A356-T6  
 End Fitting: Ductile iron hot dip galvanized ASTM A-153  
 Rod: Fiberglass gray ultraviolet (UV) protective coating

Catalog Number	Dimensions (In)			Min Ultimate Load (Lbs)			Bolt Spacing (In)		Weight (Lbs)
	A1	A2	D	F1 Vert	F2 Long	F3 Trans	B	C	
G3MA013613DC	36	13	1.5	1200	900	1500	6	8	8.9
G3MA014813DC	48	13	1.5	900	700	1500	6	8	10.3
G3MA014818DC	48	18	1.5	900	700	1500	6	8	11.0

### Notes:

- 1) Lengths shown are considered standard; for other lengths, consult factory
- 2) Add "SC" for silicone coated rod (harsh environments)
- 3) Add "B" for standard hardware (1/2" x 2" carriage bolt; 1/2" hex nut; 1/2" lock washer)
- 4) For other options, thread sizes, and optional base and end fittings, reference Fiberglass Catalog Numbering System Matrix





# Equipment Brackets

## Three Phase Double Position

### Features

- Accepts 5/8" mounting hardware
- Recessed cavity in base to allow double nutting for back to back mounting (2" only)
- Keyhole for installation ease on top bolt (2" only)

### Material

Base: Aluminum A356-T6  
 End Fitting: Aluminum A356-T6  
 Rod: Fiberglass gray ultraviolet (UV) protective coating

Catalog Number	Dimensions (In)			Min Ultimate Load (Lbs)			Bolt Spacing (In)		Weight (Lbs)
	A1	A2	D	F1 Vert	F2 Long	F3 Trans	B	C	
G3MAA13013AD	30	13	1.5	1350	1000	10000	6	8	12.4
G3MAA14813AD	48	13	1.5	900	700	10000	6	8	14.7
G3MAA14818AD	48	18	1.5	900	700	10000	6	8	15.4
G3MAA14824AD	48	24	1.5	900	700	10000	6	8	16.1
G3HAA14813AD	48	13	2.0	1650	1100	10000	8		20.8
G3HAA14818AD	48	18	2.0	1650	1100	10000	8		22.0
G3HAA14824AD	48	24	2.0	1650	1100	10000	8		23.3

### Notes:

- 1) Lengths shown are considered standard; for other lengths, consult factory
- 2) Add "SC" for silicone coated rod (harsh environments)
- 3) Add "B" for standard hardware (1/2" x 2" carriage bolt; 1/2" hex nut; 1/2" lock washer)
- 4) For other options, thread sizes, and optional base and end fittings, reference Fiberglass Catalog Numbering System Matrix

## Three Phase Double Position

### Features

- Accepts 5/8" mounting hardware

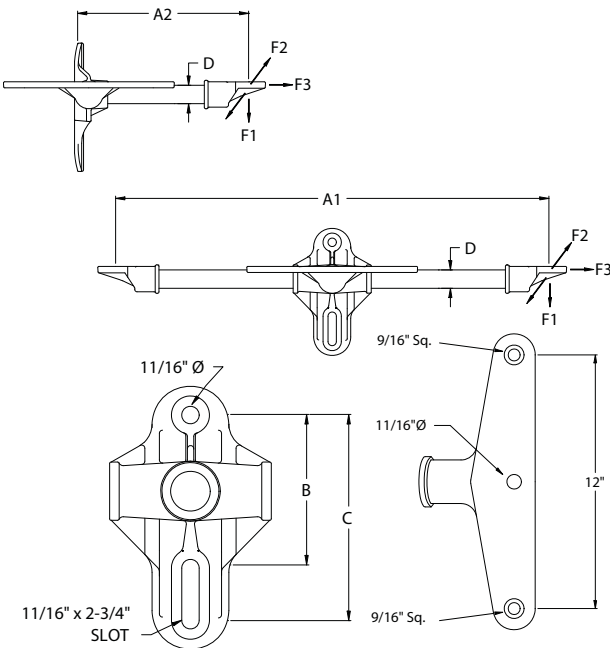
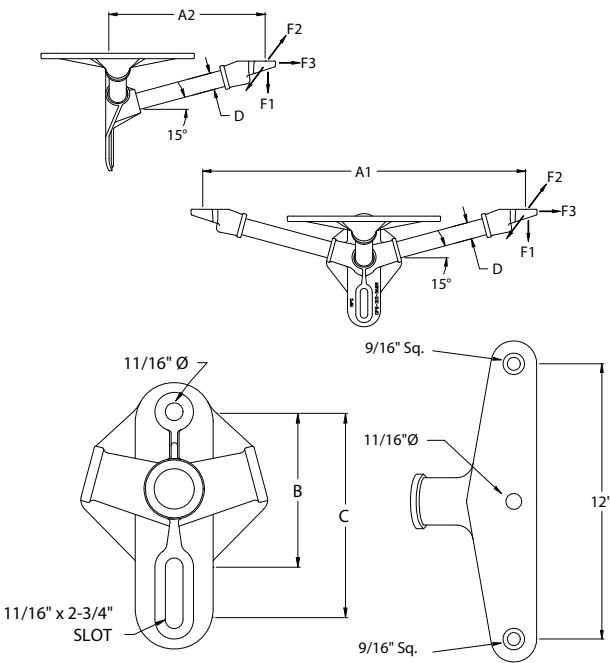
### Material

Base: Aluminum A356-T6  
 End Fitting: Ductile iron hot dip galvanized ASTM A-153  
 Rod: Fiberglass gray ultraviolet (UV) protective coating

Catalog Number	Dimensions (In)			Min Ultimate Load (Lbs)			Bolt Spacing (In)		Weight (Lbs)
	A1	A2	D	F1 Vert	F2 Long	F3 Trans	B	C	
G3MA013613DD	36	13	1.5	1200	900	10000	6	8	12.3
G3MA014813DD	48	13	1.5	900	700	10000	6	8	13.8
G3MA014824DD	48	24	1.5	900	700	10000	6	8	15.2

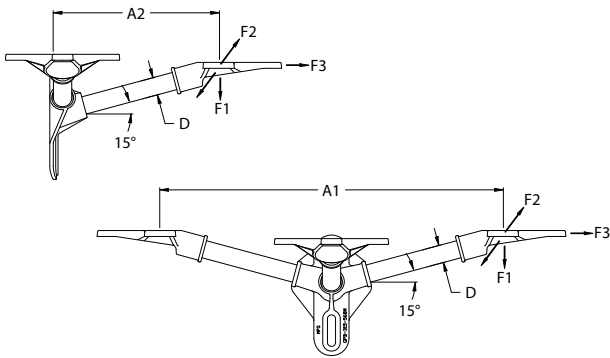
### Notes:

- 1) Lengths shown are considered standard; for other lengths, consult factory
- 2) Add "SC" for silicone coated rod (harsh environments)
- 3) Add "B" for standard hardware (1/2" x 2" carriage bolt; 1/2" hex nut; 1/2" lock washer)
- 4) For other options, thread sizes, and optional base and end fittings, reference Fiberglass Catalog Numbering System Matrix





# Equipment Brackets



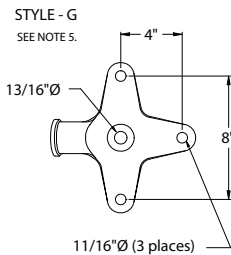
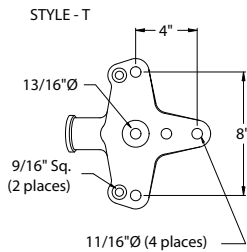
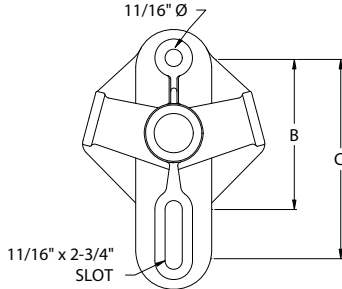
## Three Phase Three Position

### Features

- Accepts 5/8" mounting hardware
- Additional 6" bolt space (2" only)

### Material

Base: 1.5" - Aluminum A356-T6  
 2.0" - Ductile iron hot dip galvanized ASTM A-153  
 End Fitting: Aluminum A356-T6  
 Rod: Fiberglass gray ultraviolet (UV) protective coating



Catalog Number	Dimensions (In)			Min Ultimate Load (Lbs)			Bolt Spacing (In)		Weight (Lbs)
	A1	A2	D	F1 Vert	F2 Long	F3 Trans	B	C	
G3MAA13618AT	36	18	1.5	1200	900	10000	6	8	14.0
G3MAA14313AT	48	13	1.5	900	700	10000	6	8	14.9
G3MAA14824AT	48	24	1.5	900	700	10000	6	8	16.3
G3HAA13618AT	36	18	2.0	2250	1500	10000	5	8	27.5
G3HAA14813AT	48	13	2.0	1650	1100	10000	5	8	29.1
G3HAA14824AT	48	24	2.0	1650	1100	10000	5	8	31.6

### Notes:

- 1) Lengths shown are considered standard; for other lengths, consult factory
- 2) Add "SC" for silicone coated rod (harsh environments)
- 3) Add "B" for standard hardware (1/2" x 2" carriage bolt; 1/2" hex nut; 1/2" lock washer)
- 4) For other options, thread sizes, and optional base and end fittings, reference Fiberglass Catalog Numbering System Matrix
- 5) For end fitting style "G", replace fitting specification "T" (e.g. G3MAA13618AG) - available for 1.5" diameter only