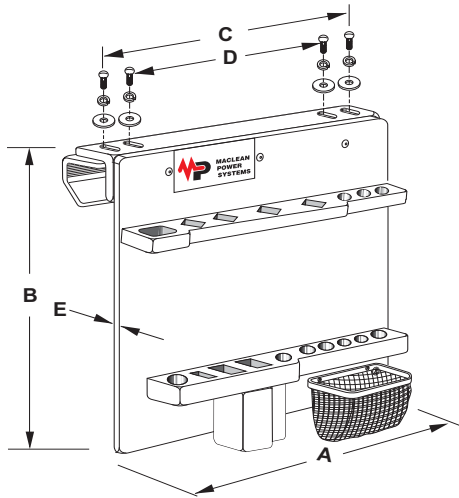




# Tool Board, Adapters, and Anchor Rod Pulling Eye



## Tool Board

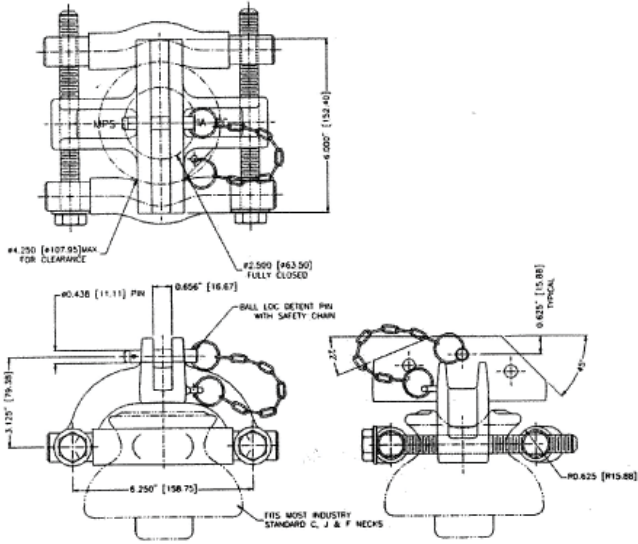
### Features

- For mounting on buckets with or without liner
- Can hold up to 13 tools and pouch - can accommodate a variety of nuts, bolts, and drill bits
- Fixed installation ensures stability in bucket
- Polyurethane grooves permit an excellent tool retaining force and an easy retrieval

### Material

Board: Grey painted fiberglass  
 Racks: Black polyurethane  
 Pouch: Nylon  
 Hardware: Stainless steel

Catalog Number	A	B	C	D	E	Weight Ea (lbs)
01-P-001	18	21	16 1/2	12 1/2	3/16	10



## Adapters

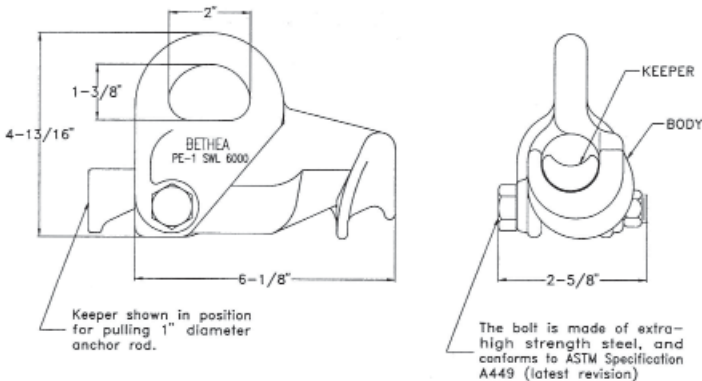
### Features

- 5 position block attachment - 0, 22, 45, 68, and 90 degrees
- Fits most industry standard C, J, & F neck insulators

### Material

Clamping Bars: Aluminum alloy  
 Fasteners and Pins: Steel cadmium or electro-zinc plated

Catalog Number	Safe Working Load (lbs)	Ultimate Working Load	Weight Ea (lbs)
IA-2C	2500	7500	5.7



## Anchor Rod Pulling Eye

### Material

Ductile iron yellow epoxy paint finish

Catalog Number	Safe Working Load (lbs)	Ultimate Working Load	Weight Ea (lbs)
PE-1	6000	30000	5

