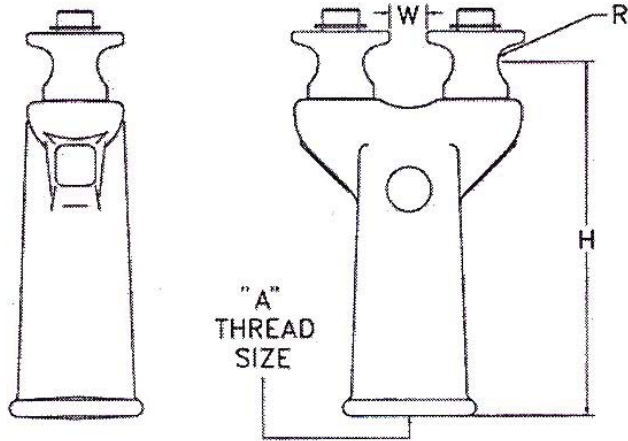




Stringing Equipment



Rollers

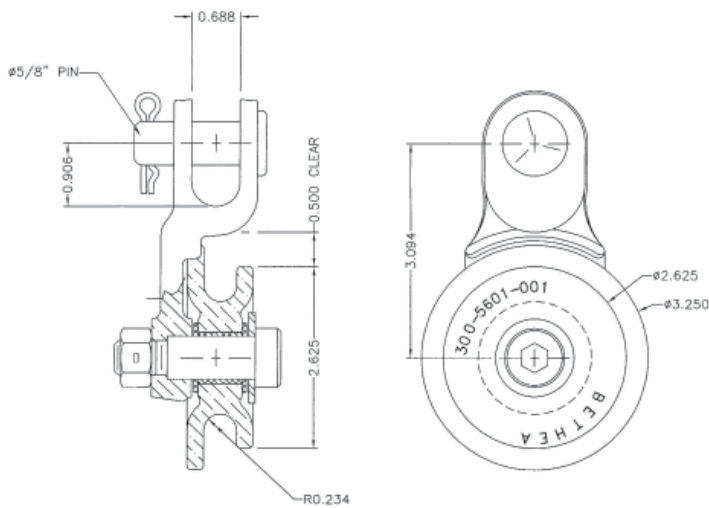
Features REA-1 & REA-2

- Rollers are designed for mounting on type A angle pins and 1 3/8" lead threads respectively
- Economic tool for stringing and sagging of conductor on runs up to 15°

Material

Body: Ductile iron
Rollers: Steel alloy

Catalog Number	Dimensions				Ultimate Strength	Weight Ea (lbs)
	A	H	W	R		
REA-1	1	5 5/16	7/16	1/4	2500 lbs	3.15 lbs
REA-2	1 3/8	5 5/16	17/32	1/4	2500 LBS	3.15 LBS



Rollers

Features REA-3

- Suspension type angle roller designed to mount with a 5/8" bolt or clevis pin
- Roller is used for stringing and sagging conductor through angles of 60°

Material

- Ductile Iron

Catalog Number	Ultimate Strength	Weight
REA-3	3000 lbs	3.5 lbs