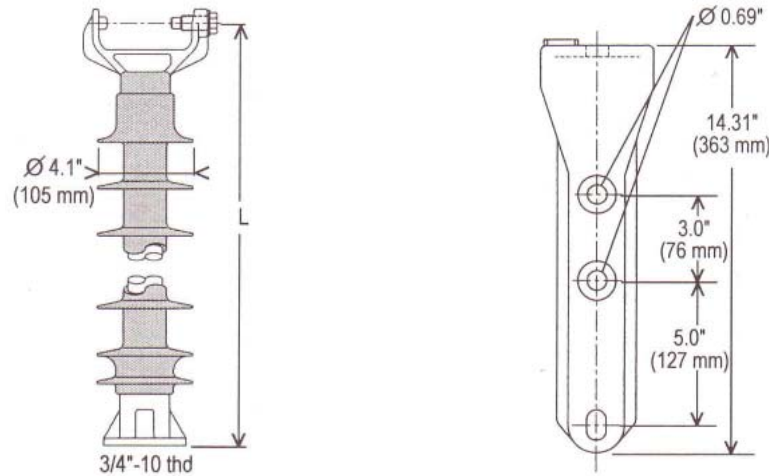




# Distribution Line Post - Series 10 Vertical

## 10XB Series Line Post Insulators (1.5" Rod)



### Vertical Trunnion Insulators - Stud Mounting Type

Line Voltage	Catalog No.	MDCL	Section Length	Dry Arc	Leakage	Electrical Flashover (kV)				Weight	Standard	
						60 Hz		CIFO			Box Qty	Pallet Qty
kV		lbs [kN]	in [mm]	in [mm]	in [mm]	Dry	Wet	Pos	Neg	lbs [kgs]		
15	NPVN10XB003S0	1235 [5.5]	10.9 [277]	7.2 [183]	11.3 [287]	86	66	146	193	6.1 [2.8]	6	216
28	NPVN10XB005S0	1235 [5.5]	14.9 [378]	11.2 [284]	18.8 [478]	122	103	208	271	7.1 [3.2]	3	162
35	NPVN10XB006S0	1235 [5.5]	16.9 [429]	13.2 [335]	22.4 [569]	141	122	239	309	7.7 [3.5]	3	162
35	NPVN20XGO09S0	1250 [5.6]	18.9 [457]	14.3 [362]	30.6 [787]	151	131	255	329	10.3 [4.7]	3	162

### Vertical Trunnion Insulators - With Vertical Gain Base: for pole mounted line posts

Line Voltage	Catalog No.	MDCL	Section Length	Dry Arc	Leakage	Weight	Standard
							Crate Qty
kV		lbs [kN]	in [mm]	in [mm]	in [mm]	lbs [kgs]	
15	NPVG10XB003S0	1235 [5.5]	25.2 [640]	7.2 [183]	11.3 [287]	14.3 [6.5]	40
28	NPVG10XB005S0	1235 [5.5]	29.2 [742]	11.2 [284]	18.8 [478]	15.3 [6.9]	40
35	NPVG10XB006S0	1235 [5.5]	31.2 [792]	13.2 [335]	22.4 [569]	15.8 [7.2]	40
35	NPVG20XGO09S0	1250 [5.6]	32.3 [820]	14.3 [362]	30.6 [777]	18.4 [8.3]	40

**Notes:**

- 1) MDCL = Max. Design Cantilever Load
- 2) STL (Specified Tensile Load) - 5,000 lbs [22.2 kN]
- 3) NPVN10XB Series supplied with 3/4" - 10 Stud Base
- 4) NPVG10XB Series supplied with vertical base
- 5) S0 = Electrical data is without Corona Ring
- 6) For other ratings or custom insulator designs, contact your local MPS Sales Representative.