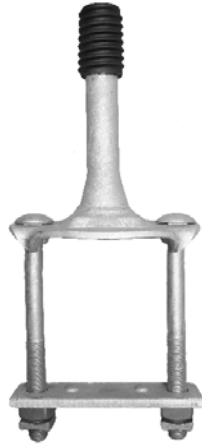




Pins



Clamp, Wide Base

The Z-series clamp pins are installed to encircle the crossarm and the broad base distributes the load and eliminates the need for drilled crossarm holes.

Features

- Nylon insulator threads permanently molded to the pin body
- Manufactured with a forged pin body securely welded to wide base
- Furnished with two 5/8 x 7" carriage bolts and a clamping plate with two raised prosection on one side to resist movement. Clamp plate could be reversed for use on fiberglass arms.

Material

Pin body: Steel hot dip galvanized
Threads: Nylon alloy

Catalog Number	Insulator Thread (in)	Crossarm Size (in)	Height Above Arm (in)	Weight/100 (lbs)
J3322Z	1	3 3/4 x 4 3/4	6	495
J3324Z	1 3/8	3 3/4 x 4 3/4	7	553

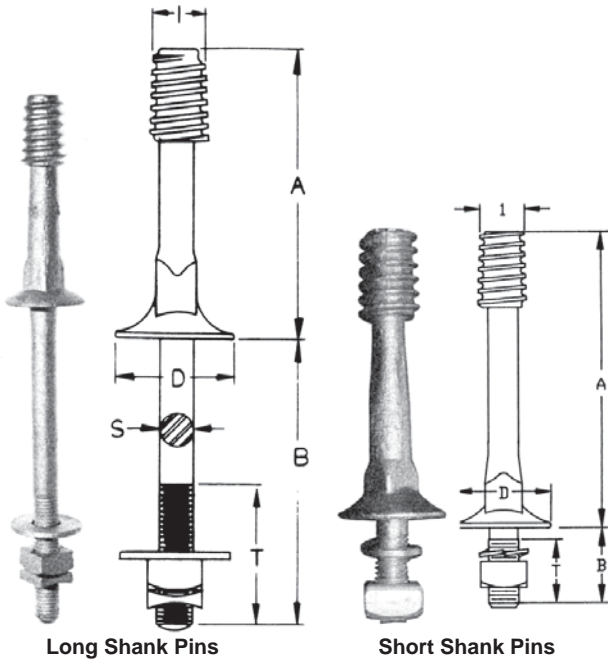
Crossarm

Features

- Crossarm pins are forged in one piece from alloy steel
- Large bases distribute loads without crushing flat wood crossarms
- Square wrenching shoulder is provided above the base for rotating the insulator groove into position
- Long shank pins are supplied with a square washer, square nut and MF concave lockwasher
- Short shank pins are supplied with a split coil lockwasher and square nut
- 1" ANSI standard nylon alloy threads for pin type insulators
- Furnished with insulator threads produced from J.E.M. (Joslyn Engineered Material) nylon alloy compound

Material

Pin Body: Steel hot dip galvanized
Threads: Nylon alloy



Long Shank Pins

Short Shank Pins

Long Shank								
Catalog Number	Thread Material	A	B	D	S	T	Washer (sq in)	Weight/100 (lbs)
J203Z	Nylon Alloy	5	5 3/4	2	5/8	4	2	138
J204Z	Nylon Alloy	5	6 1/2	2	5/8	4	2	144
J2802Z	Nylon Alloy	5	8	2	5/8	4	1 3/4 (round)	157
J206Z	Nylon Alloy	6	5 3/4	2	5/8	2 3/4	2	147
J207Z	Nylon Alloy	6	6 1/2	2	5/8	3	2	151
JP40581Z	Nylon Alloy	6	7 1/2	2	5/8	3 1/4	2	200
J211Z	Nylon Alloy	6	6 1/2	2	3/4	3 1/4	2 1/4	232
J22267Z	Nylon Alloy	6	8	2	3/4	4 1/2	2 1/4	276

Short Shank							
Catalog Number	Thread Material	A	B	D	S	T	Weight/100 (lbs)
J221Z	Nylon Alloy	5	1 1/2	2	5/8	1 3/8	126
J222Z	Nylon Alloy	6	2 1/2	2	5/8	2 3/8	104
J224Z	Nylon Alloy	6	1 3/4	2	3/4	1 5/8	160
J24365Z	Nylon Alloy	7	2 1/2	2	3/4	2 3/8	196