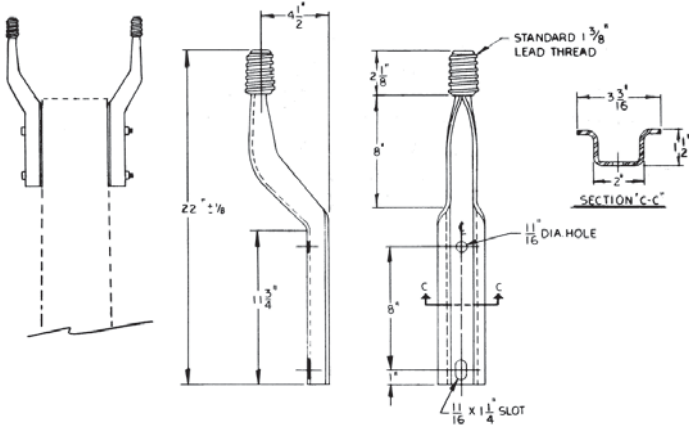




Pins



Pole Top

Pressed steel offset pole top pins are designed for use where pole top pins are required on each side of the pole on 25kV systems.

Features

- Provides the necessary clearance between insulators at a reduction in the cost of assemblies using straight pole top pins, double arming brackets and pipe spacers

Material

Pin Body: Steel hot dip galvanized
Threads: Standard ANSI lead

Catalog Number	Thread Material	Insulator Thread (in)	L	Hole Spacing	Weight/100 (lbs)
J25179	Lead	1 3/8	22	8	600

Thread Adapter

J4023 makes it possible to use insulators with 1 3/8" threaded pin holes on pins with 1" lead threads.

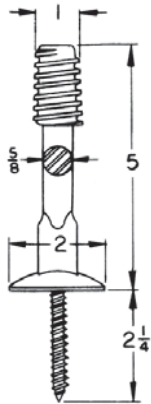
Features

- Standard 1 3/8" lead thread cast on a standard 1" thimble

Material

Cast Lead

Catalog Number	Thread Material	Weight/100 (lbs)
J4023	Lead	60



Transformer Lead

The transformer lead pin is used for carrying the leads to the transformer.

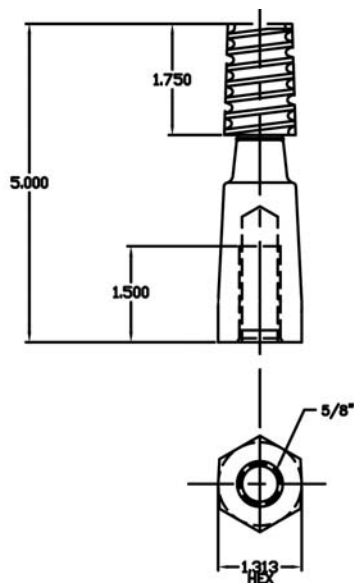
Features

- Nylon alloy threads for ANSI standard 1" threaded pin holes
- Body is forged with a 1/2" dia. shank

Material

Pin Body: Steel hot dip galvanized
Threads: Nylon alloy

Catalog Number	Height Above Arm (in)	Weight/100 (lbs)
J025Z	5	99



Transformer Lead Adapter

Features

- For ANSI standard pin type insulators
- Turned onto the end of a 5/8" bolt

Material

Pin Body: Ductile iron hot dip galvanized
Lead

Catalog Number	Insulator Thread (in)	Weight/100 (lbs)
J2840	1	90
J2841	1 3/8	150